

**Owner's Manual
And
Assembly Instructions**



The Tacoma

Model: 1-AP017-06



Adventure Playsets

Amarillo Texas 79119

Thank you for purchasing an Adventure Playsets Playcenter. We hope it will bring you and your children many years of safe and enjoyable backyard fun.

Table of Contents

Letter to Customer	2
Positioning Your Playcenter	3
Tools Required for Assembly	3
Helpful Installation Hints	4
Suggested Playground Surfacing	5
Operating Instructions	6
Maintenance Instructions	7
Disposal Instructions	7
CPSC Information Sheet	8
Assembly Instructions	9
Frequently Asked Questions	32
Customer Notes	33
Limited Warranty	35
Warranty Claim Procedure	36
Customer Registration Card	37

Your owner's manual should be read carefully before starting assembly.



STOP...PLEASE READ!!

IF YOU HAVE ANY QUESTIONS OR ARE MISSING A PART, PLEASE DO NOT CONTACT THE RETAILER THAT YOU PURCHASED THIS PRODUCT FROM.

PLEASE CALL US DIRECTLY AT THE FACTORY, 1-800-856-4445, OUR TRAINED STAFF WILL ANSWER YOUR QUESTIONS AND OR EXPEDITE PARTS THAT YOU MAY NEED.

Dear Customer:

Thank you for purchasing an Adventure Playsets Playcenter. We hope it will bring you and your children many years of safe and enjoyable backyard fun. Adventure Playsets equipment is recommended for use by **children 3 to 10 years of age**. Adventure Playsets structures are **not intended for public use**. **Adventure Playsets does not warranty any of its residential structures subjected to commercial use.**



WARNING: This Symbol points out important safety instructions which, if not followed, could endanger the personal safety of yourself and your children and/or damage your property. You **MUST** read and follow all instructions in this manual before attempting to use this playcenter.



WARNING: Children must **NOT** use this playcenter until unit has been completely assembled and inspected by an adult to insure set has been properly installed and anchored.

Please follow all recommendations below. **Failure to do so may result in the warranty being void and/or safety violations that could result in serious injury.** The following information has been provided to help you in your installation, continued satisfaction, and safe operation of your Adventure Playsets purchase.

Always keep the safety of your children in mind as your play structure is being built and as your children play on the set. Before your children play on the set please review the Operation Instructions with them to help ensure their safety.

PLEASE RETAIN THESE INSTRUCTIONS FOR FUTURE REFERENCE.
KEEP THEM IN A SAFE PLACE WHERE YOU CAN REFER TO THEM AS NEEDED.

Please do **NOT** return the playcenter to the retailer from which it was purchased, without first contacting Customer Service.

General Information:

Please take time and fill out the information below. This information will be needed for warranty issues.

Date of Purchase: _____ **Date stamped on box:** _____

Manufacturer: Adventure Playsets **Vendor:** _____
14201 Interstate 27 _____
Amarillo, TX 79119 _____
Ph. #: 1-800-856-4445 _____
Fax: 806-622-1515 _____
E-mail: **custservice@adventureplaysets.com**
Website: **http://www.adventureplaysets.com**

Unit Type:

Unit Name: The Tacoma Revision Date: 11/21/05

Unit Model Number: 1-AP017-06



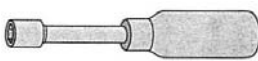
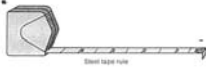


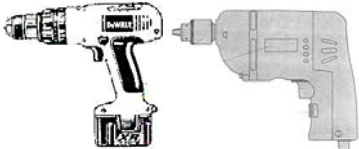



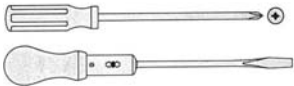

Maximum Fall Height: 6'-11"

The instructions and owner's manual for your new Playcenter should be read in its entirety before assembly, to minimize problems and safety issues. We recommend reading the owner's manual thoroughly after you have identified all of the parts for your Playcenter as discussed in the Helpful Installations Hints section below.

Positioning Your Play center

1. The Playcenter is designed to be installed on a level surface **by an Adult with an Adult helper**. Try to place in a flat area of your yard to minimize ground preparation.
2. Place the equipment not less than 6 ft from any structure or obstruction such as a fence, garage, house, overhanging branches, laundry lines, or electrical wires.
3. It is a good idea to place your Playcenter in an area that is convenient for adults to watch children at play.
4. The area that you choose should be policed for glass, rocks or anything jagged or sharp that could endanger your children's safety. The surface underneath your play system can cause or prevent injuries. We have additional suggestions in the Suggested Playground Surfacing Section.
5. Do not build your playset on top of surfacing material.

Tools Required for Installation:

		
(Level 24")	(Open end Wrenches 1/2" & 7/16")	(Nut drivers 1/2" & 9/16")
		
(Tape Measure)	(3/8" Drive Ratchet, 1/2" & 9/16" std sockets 1/2" & 9/16" deep sockets)	(Claw Hammer)
		
(3/8" Cordless Drill or Electric drill)	(3/16", 5/16" & 3/8" drill bits)	(Drill attachments: Phillips head screw 3/8" Socket Driver Torque head screw)
		
(An Adult w/an Adult helper)	(Phillips & Straight Blade screw drivers)	(Rubber Mallet -Optional)

Helpful Installation Hints

1. Depending on your experience, assembly of this Play set should take approximately 6 to 12 hours after inventory of parts. Therefore, we recommend you set aside a full day for assembly.
2. Identify all of the parts for your Playcenter. Empty each box and lay out boards so you can see each part. Your instruction book will have detailed drawings that will make it easy for you to recognize individual parts. Keep all hardware and metal parts separate from wooden pieces.
3. After everything is laid out, check carefully to ensure all parts are present. Make sure there are no broken boards.
4. Find an area to sort your hardware. It is best to open the hardware on a solid surface so that you do not lose any pieces in the grass. This will save time and familiarize you with all the different pieces in the hardware bag.
5. Important note: Wood has some natural defects such as knots, surface cracks, etc... We reject parts that are structurally defective. We use a high quality lumber in our structures; however, you should inspect each part for splinters or rough spots and sand them smooth to prevent injury.
6. After steps 1 thru 4 have been completed, read all the way through the instructions completely. Reading instructions after you have studied the parts will help you understand more clearly the installation process, and help to eliminate unnecessary mistakes.
7. Pay close attention to the diameter and length of each bolt and screw. There will be different sizes in the same bag, so they must be sorted correctly.
8. Swing hangers should be buried past the threads, so that the loop is against the swing beam. Adventure Playsets is not responsible for incorrect installations of swing hangers. Failure to properly install swing hangers may cause severe injury.
9. Never tighten hardware completely at first. It helps to have some adjustment for bolt alignment while you are attaching parts together. After everything is square, tighten each joint.
10. After the main unit is assembled it is critical that the floor is level and square. If the main frame is not level, the walls and floor will be out of square.
11. After you complete installation, make sure every bolt, screw, and nut is tight, and every board is secure. Wood will expand and contract with the seasons. Check all bolt connections and swing hangers every two weeks.
12. Place the set on level ground, not less than 6ft from any structure or obstruction such as a fence, garage, house, overhanging branches, laundry lines, or electrical wires.

READ! VERY IMPORTANT!


If you are missing parts or have questions regarding the installation of our quality product PLEASE call us directly at the factory (1-800-856-4445). Our trained staff will be happy to assist you.

Customer service hours:
Monday thru Friday 9am to 5pm
Saturday 9am to 2pm
Central Standard Time.

E-mail: custservice@adventureplaysets.com

ATTENTION: UK CUSTOMERS

We thank you for purchasing our excellent quality play equipment. We are sure that you will be satisfied with your selection. However, should you experience any problems or require any advice, do not return the item to the store, please contact our European Customer Service Number below. To ensure a prompt and efficient handling of your query please have your assembly instructions ready when you call.



Tel: 08700 170580 or email us at info@plumproducts.com

Suggested Playground Surfacing

- ❑ Playground equipment should never be placed on hard surfaces such as concrete or asphalt.
- ❑ Shredded bark mulch, wood chips, fine sand and fine gravel, are added as shock absorbing materials after assembly. If used properly these materials can absorb some of the impact of a child’s fall.
- ❑ All surface material should extend a minimum of 6 feet in all directions around the play area.

The following chart explains the fall height in feet from which a life threatening head injury would not be expected

Critical Heights in feet (m) of Tested Materials

Material	Uncompressed Depth			Compressed Depth
	6" (152mm)	9" (228mm)	12" (304mm)	to 9" (228mm)
Wood Chips	7' (2.13m)	10' (3.05m)	11' (3.35m)	10' (3.05m)
Double-Shredded bark mulch	6' (1.83m)	10' (3.05m)	11' (3.35m)	7' (2.13m)
Engineered Wood Fibers	6' (1.83m)	7' (2.13m)	>12' (3.66m)	6' (1.83m)
Fine Sand	5' (1.52m)	5' (1.52m)	9' (2.74m)	5' (1.52m)
Coarse Sand	5' (1.52m)	5' (1.52m)	6' (1.83m)	4' (1.22m)
Fine Gravel	5' (1.52m)	7' (2.13m)	10' (3.05m)	6' (1.83m)
Medium Gravel	5' (1.52m)	5' (1.52m)	6' (1.83m)	5' (1.52m)
Shredded Tires*	10-12' (3.0-3.6m)	N/A	N/A	N/A

*This data is from tests conducted by independent testing laboratories on a 6-inch depth of uncompressed shredded tire samples produced by four manufacturers. The tests reported critical heights, which varied from 10 feet to greater than 12 feet. It is recommended that persons seeking to install shredded tires as a protective surface request test data from the supplier showing the critical height of the material when it was tested in accordance with ASTM F1292.

Operating Instructions:



NOTE: Your children's safety is our #1 concern. Observing the following statements and warnings reduces the likelihood of serious or fatal injury. Please review these safety rules regularly with your children.

1. This Playcenter is designed for the use of 3 occupants who have a combined weight not exceeding 280 pounds.
2. On-site adult supervision is **required**.
3. Instruct children **not** to walk close to, in front of, behind, or between moving swings or other moving playground equipment.
4. Instruct children to sit in and **never** stand on swings
5. Instruct children **not** to twist the chains and ropes and not to loop them over the top support bar, since this may reduce the strength of the chain or rope.
6. Instruct children **not** to jump from swings or other playground equipment in motion.
7. Instruct children to **not push** empty seats. The seat may hit them and cause serious injury.
8. Instruct and teach children to sit in the center of the swings with their full weight on the seats.
9. Instruct children **not** to use the equipment in a manner other than intended.
10. Instruct children to **always** go down slides feet first. Never slide headfirst.
11. Instruct children to **look** before they slide to make sure no one is at the bottom.
12. Instruct children to **never** run up a slide, as this increases their chances of falling.
13. The parents should have the children **dress appropriately** with well-fitting shoes. Loose clothing such as scarves and ponchos should not be worn. Always take off, tie up or tuck in cords and drawstrings on children's clothing. These things can get caught on playground equipment and strangle a child.
14. Instruct children **not** to climb when the equipment is wet.
15. Instruct children to **never** jump from a fort deck. They should always use the ladder, ramp or slide.
16. Instruct children to **never** crawl or walk across the top of monkey bars.
17. Instruct children to **never** crawl on top of a fort roof.
18. Verify that any suspended climbing ropes, chain, or cable are secured at both ends and that they cannot be looped back on it.
19. Instruct children **not** to attach items to the playground equipment that are not specifically designed for use with the equipment, such as, but not limited to, jump ropes, clothesline, pet leashes, cables and chain as they may cause a strangulation hazard.
20. Instruct children to **never** use Monkey Bar when swings or glider are in use.
21. Instruct children to **never** wrap their legs around swing chain.
22. Instruct children to **never** slide down the swing chain.

Maintenance Instructions:

1. Check all nuts and bolts twice monthly during the usage season and tighten as required. (But not so tight that you crack the wood) We recommend you check the swing beam and hardware every two weeks due to wood expansion and contraction. It is particularly important that this procedure be followed at the beginning of each season.
2. Remove plastic swing seats and take indoors or do not use when the temperature drops below 32 °F.
3. Oil all metallic moving parts monthly during the usage period.
4. Check all coverings for bolts and sharp edges twice monthly during usage season to be certain they are in place. Replace when necessary. It is especially important to do this at the beginning of each new season.
5. Check swing seats, ropes, cables and chains monthly during usage season for evidence of deterioration. Replacement should be made of any swing seat that has developed cracks in the plastic seats or has exposed metal in the edges of the swing seat. If there are already exposed metal inserts on the edge of the seat, immediately remove the seats and chains to prevent serious injury. Ropes, cables and chains should be removed and replaced if excessive wear is found. Contact Adventure Playsets for replacement parts.
6. For rusted areas on metallic members such as monkey bars, hand supports, brackets, etc., sand and repaint, using a non lead-based paint meeting the requirements of Title 16 CRF Part 1303.
7. Inspect wood parts monthly. The grain of the wood sometimes will lift in the dry season causing splinters to appear. Light sanding may be necessary to maintain a safe playing environment. If you are treating your Playcenter with stain regularly, it will help prevent severe checking/splitting and other weather damage.
8. We recommend treating the wood components once or twice a year depending on the type of weather you have and when sanding has been required to maintain a good surface. We treat our wood with a waterborne transparent stain.
9. Creating and maintaining the Playcenter on a level location is very important. As your children play, your Playcenter will slowly dig its way into the soil, and it is very important that it settles evenly. Make sure the play set is level and true once each year or at the beginning of each play season.

Disposal Instructions:

When the Playcenter use is no longer desired, it should be disassembled and disposed of in such a way that no unreasonable hazards will exist at the time the unit is discarded.

NOMINAL MATERIAL SIZES			
NAMED SIZE		TRUE SIZE	
Imperial (")	Metric (mm)	Imperial (")	Metric (mm)
1x6	2.5x15.3	3/4x5 1/2	1.9x14
5/4x4	3.2x10.2	1x3 1/2	2.5x9
5/4x6	3.2x15.3	1x5 1/2	2.5x14
2x2	5x5	1 1/2x1 1/2	3.8x3.8
2x3	5x7.6	1 1/2x2 1/2	3.8x6.4
2x4	5x10	1 1/2x3 1/2	3.8x9
2x6	5x15.3	1 1/2x5 1/2	3.8x14
4x4	10x10	3 1/2x3 1/2	9x9
Estimated Sizing Due to Molding of Wood			

APPENDIX A

Information on Playground Surfacing Materials:

The following information is from the *United States Consumer Product Safety Commission's Information Sheet for playground surfacing material*. Also see the following website for additional information: www.cpsc.gov/cpscpub/pubs/323.html.

X3. CONSUMER INFORMATION SHEET FOR PLAYGROUND SURFACING MATERIALS¹¹

X3.1 The U.S. Consumer Product Safety Commission (CPSC) estimates that about 100,000 playground equipment-related injuries resulting from falls to the ground surface are treated annually in U.S. hospital emergency rooms. Injuries involving this hazard pattern tend to be among the most serious of all playground injuries, and have the potential to be fatal, particularly when the injury is to the head. The surface under and around playground equipment can be a major factor in determining the injury-causing potential of a fall. It is self evident that a fall onto a shock-absorbing surface is less likely to cause a serious injury than a fall onto a hard surface. Playground equipment should never be placed on hard surfaces such as concrete or asphalt and while grass may appear to be acceptable it may quickly turn to hard packed earth in areas of high traffic. Shredded bark mulch, wood chips, fine sand or fine gravel are considered to be acceptable shock absorbing surfaces when installed and maintained at a sufficient depth under and around playground equipment.

X3.2 Table X3.1 lists the maximum height from which a child would not be expected to sustain a life-threatening head injury in a fall onto four different loose-fill surfacing materials if they are installed and maintained at depths of 6, 9, and 12 in. However, it should be recognized that all injuries due to falls cannot be prevented no matter what surfacing material is used.

X3.3 It is recommended that a shock absorbing material should extend a minimum of 6 ft in all directions from the perimeter of stationary equipment such as climbers and slides. However, because children may deliberately jump from a moving swing, the shock absorbing material should extend in the front and rear of a swing a minimum distance of 2 times the height of the pivot point measured from a point directly beneath the pivot on the supporting structure.

X3.4 This information is intended to assist in comparing the relative shock-absorbing properties of various materials. No particular material is recommended over another. However, each material is only effective when properly maintained. Materials should be checked periodically and replenished to maintain correct depth as determined necessary for your equipment. The choice of a material depends on the type and height of the playground equipment, the availability of the material in your area, and its cost.

¹¹This information has been extracted from the CPSC publications "Playground Surfacing — Technical Information Guide" and "Handbook for Public Playground Safety." Copies of these reports can be obtained by sending a postcard to: Office of Public Affairs, U.S. Consumer Product Safety Commission, Washington, D.C., 20207 or call the toll-free hotline: 1-800-638-2772.

The American Society for Testing and Materials takes no position respecting the validity of any patent right asserted in connection with any item mentioned in this standard. Users of this standard are expressly advised that determination of the validity of any such patent rights, and the risk of infringement of such rights, are entirely their own responsibility.

The standard is subject to revision at any time by the responsible technical committee and must be reviewed every five years and if not revised, either approved or withdrawn. Your comments are invited either for revision of this standard or for additional standards and should be addressed to ASTM Headquarters. Your comments will receive careful consideration at a meeting of the responsible technical committee, which you may attend. If you feel that your comments have not received a fair hearing you should make your views known to the ASTM Committee on Standards. 100 Barr Harbor Drive, West Conshohocken, PA 19428.

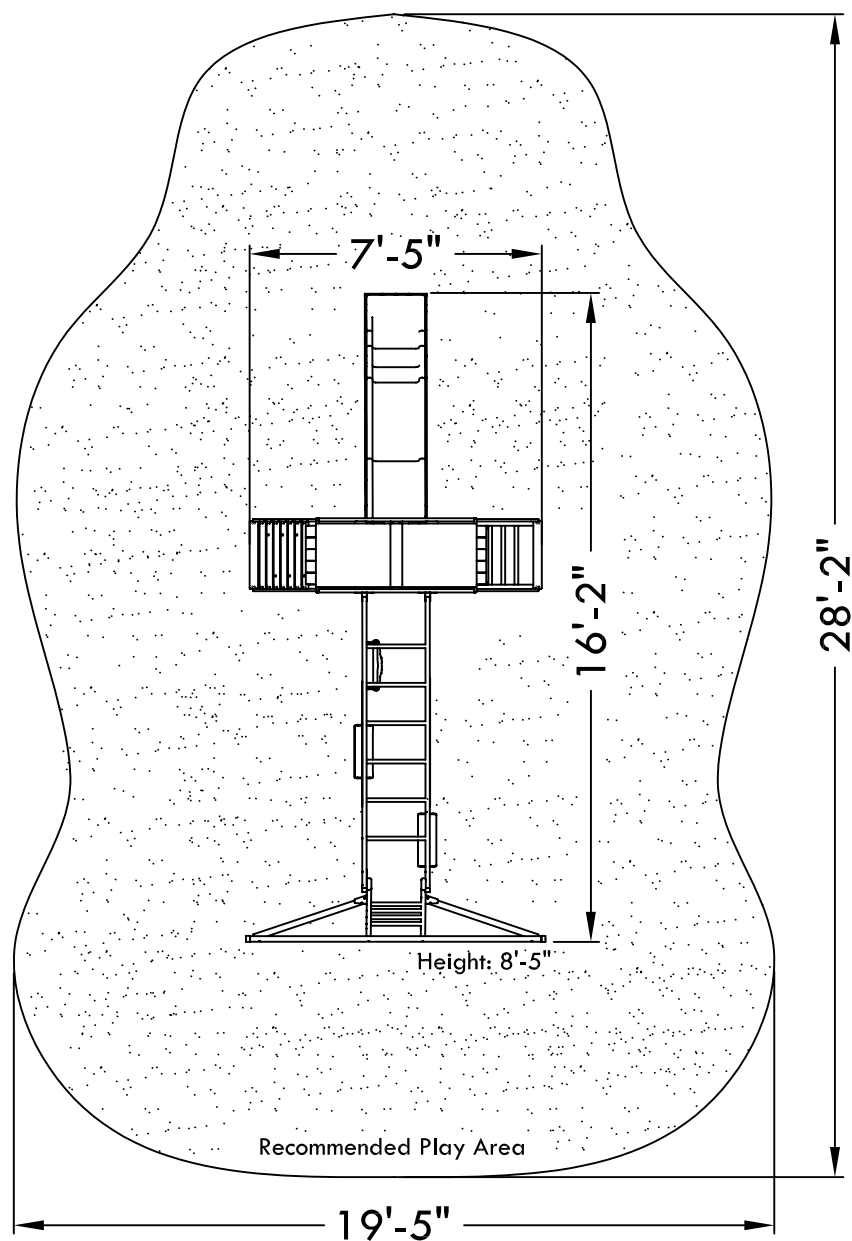
The Tacoma

Assembly Instructions

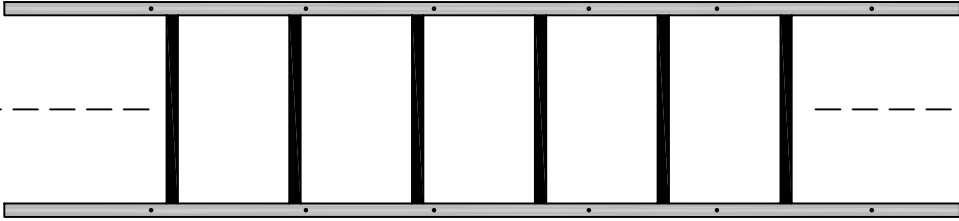
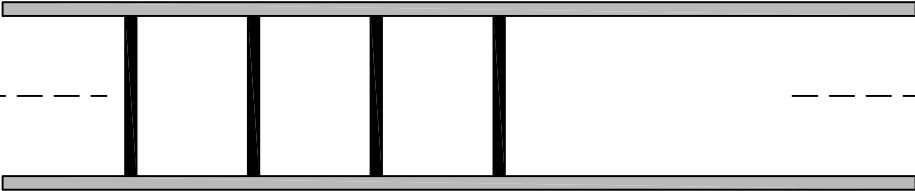
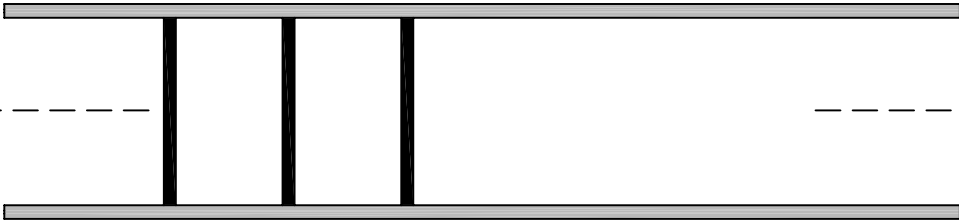


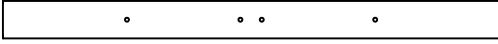

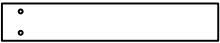
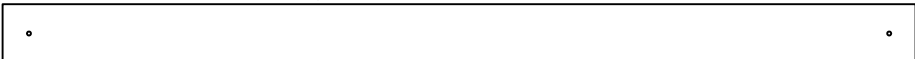


Basic Setup Dimensions

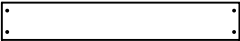
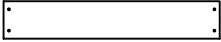

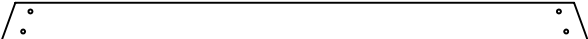

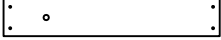
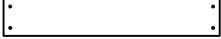
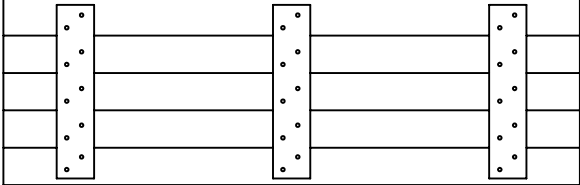
Place the set on level ground, not less than 6ft from any structure or obstruction such as a fence, garage, house, overhanging branches, laundry lines or electrical wires.



Parts Identification Wood Components

<u>ID LETTER</u>	<u>DESCRIPTION</u>	<u>QUANTITY</u>
A	89 1/2"- 6 Rung Monkey Bar Top Ladder (Cranberry) 2A1074-06 	1
B	85 1/2"- 4 Rung Monkey Bar End Ladder (Cranberry) 2A1042-05 	1
C	89 1/2"- 3 Rung Fort Ladder (Cranberry) 2A1076-06 	1
D	2x4x89 1/2"- Fort Upright (Cranberry) 4LP1051-06 	2
E	2x4x89 1/2"- Monkey Bar Ground Beam (Cranberry) 4LP1048-06 	1
F	5/4x4x46 1/2"- Monkey Bar/Tarp Cross Brace 4L1386-06 	2
G	1x6x20 1/4"- Ground Board 4L1433-05 	2
H	5/4x4x20 1/4"- Tarp Upright 4L1392-06 	2
I	1x6x85 1/2"- Fort Ground Beam 4L1613-06 	2

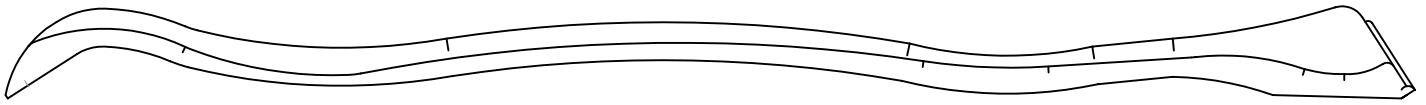
Parts Identification Wood Components

ID LETTER	DESCRIPTION	QUANTITY
J	1x4x22 1/4" - Tarp End Cap 4L1434-05 	2
K	1x4x20 1/4" - Tarp Support 4L1435-05 	1
L	1x4x67" - Monkey Bar Angle Brace 4L1584-06 	2
M	1x4x54 7/8" - Angled Floor Support 4L1614-06 	2
O	1x4x41" - Wall Slat 4L1388-05 	4
S	1x4x20 1/4" - Rockwall Board 4L1394-05 	6
T	1x4x20 1/4" - Rockwall Board (no rock) 4L1496-05 	1
U	54" Floor Panel Assembly 2A1044-06 	1

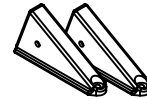
Parts Identification

Accessories

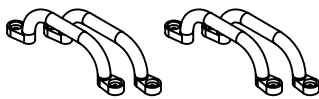
1 - 8' Green Wave Slide - 6P084



2 - Angle Brace Bracket - 6P073



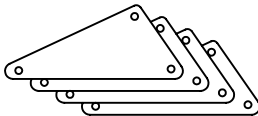
2 - Yellow Hand Grips (pair) - 6P002



6 - Green Plastic Stakes - 6P085



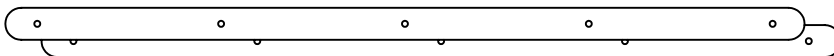
4 - Fort/Monkey Bar Plate - 6M030



1 - Trapeze Bar - 6P053



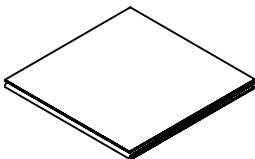
2 - Green Monkey Bar Strip - 6M022



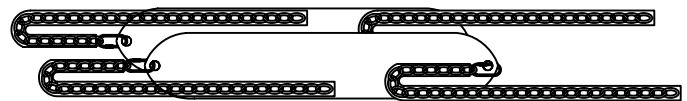
10 - Green L-Bracket - 6M021



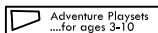
1 - Green Roof Tarp - 6F011



2 - Yellow Swing Seats w/chain - 2A1086-06



1 - Adventure Playsets Identification Sticker
6BLAB22

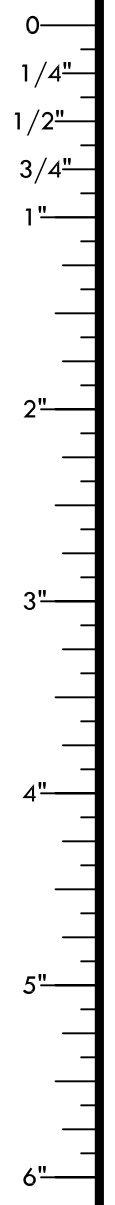
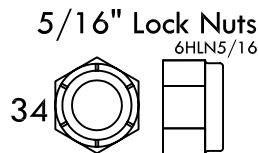
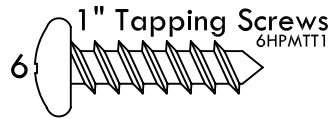
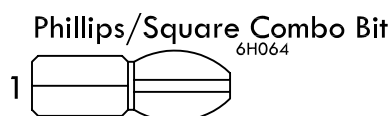
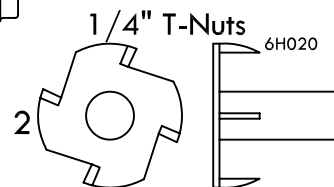
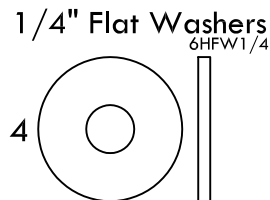
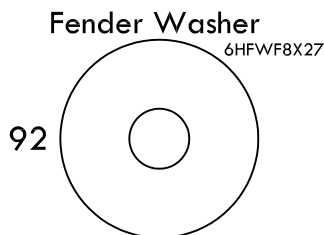
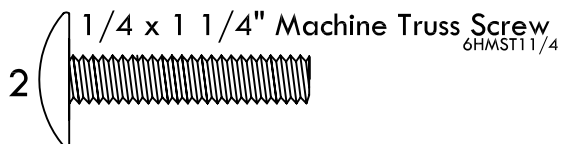
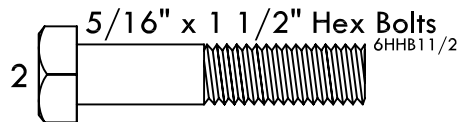
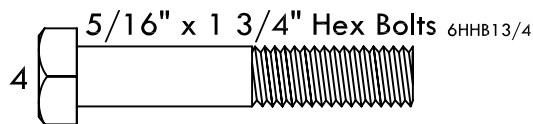
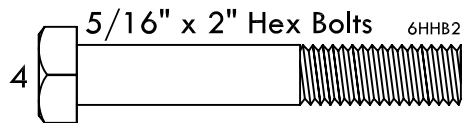
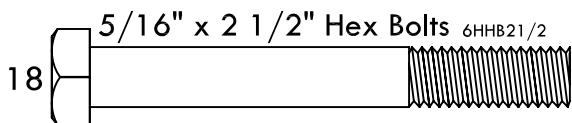
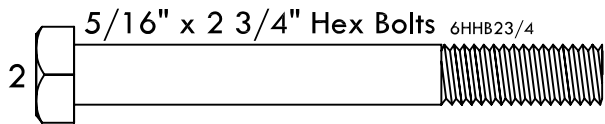
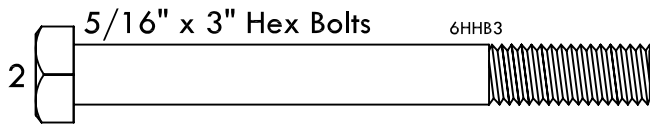
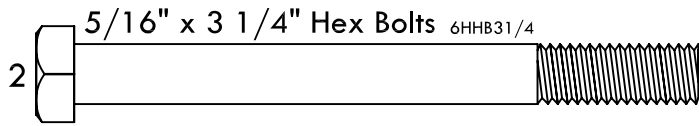


2 - 15 link Trapeze Chain - 6M016



Hardware Identification

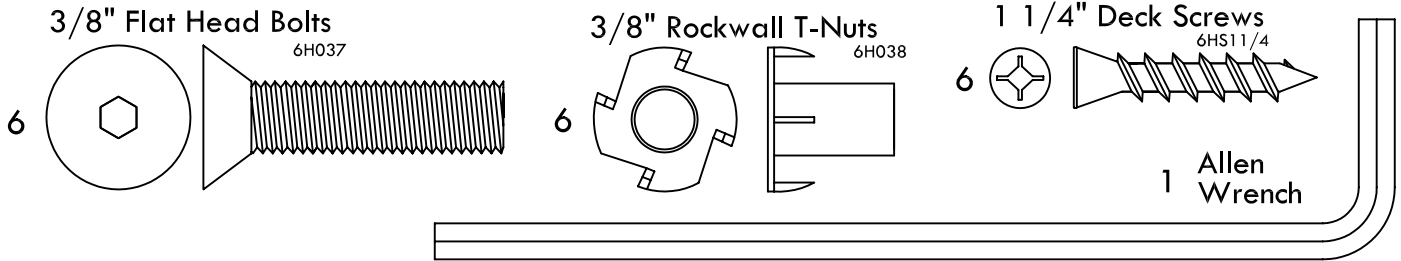
Fort Hardware Bag - 3H1150-06



Hardware Identification

Rock Hardware Bag - 6P054

6 Rockwall Rocks (Not Shown)

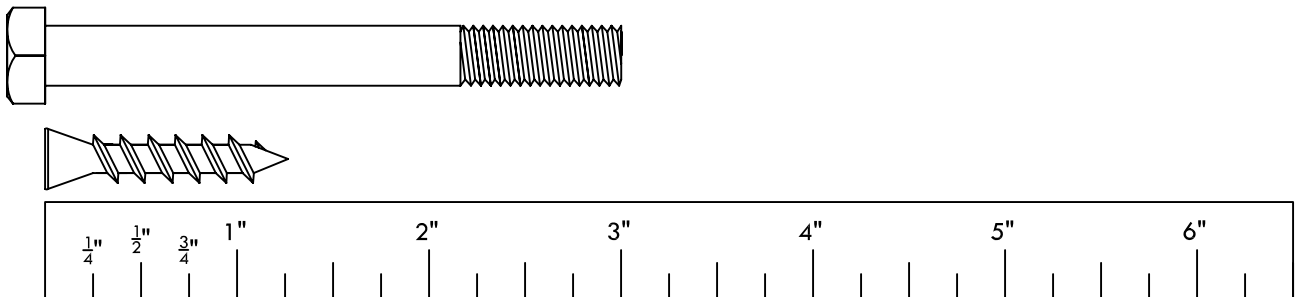


Measuring hardware

It is very important that you get the right hardware in the correct place when assembling the unit. You can use the ruler below to measure your hardware or you can compare the hardware to the hardware identification page.

NOTES:

- 1) Do not include bolt head when measuring length of bolt.
- 2) Include full length of deck screw when measuring.



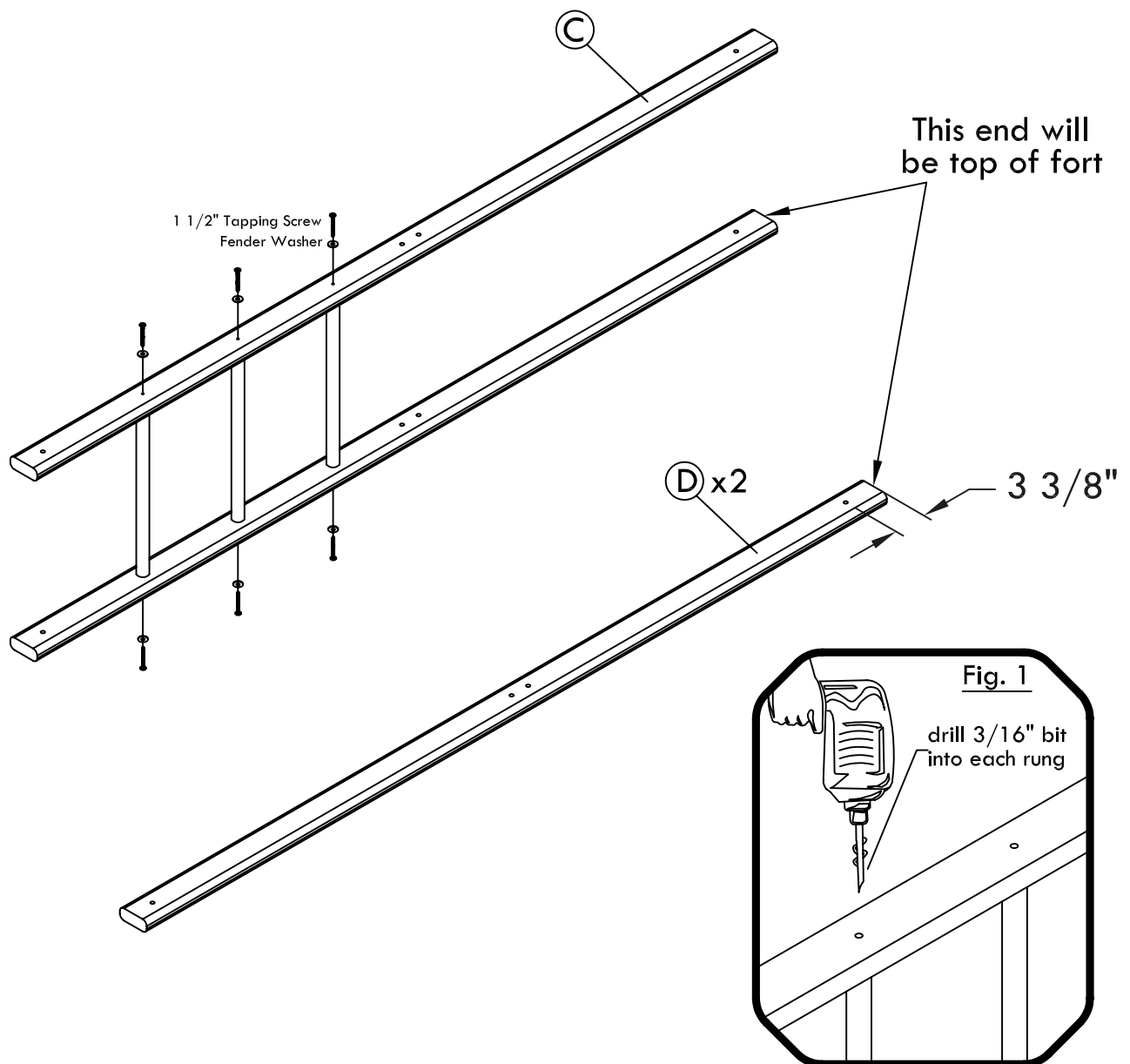
Phase 1 Fort Ladder Setup

Items Used in this Phase

- (1) Fort Ladder Assembly 'C'
- (2) Fort Uprights 'D'

Step 1: Using a drill with a 3/16" bit, pre-drill a hole approximately 1 1/2" deep into each wooden rung on the ladder assembly. (See Fig 1) This will aid Step 3.

Step 2: On the Fort Ladder 'C', secure ladder rails to ladder rungs by using a 1 1/2" tapping screw with fender washer into pre-drilled holes from Step 2 above.



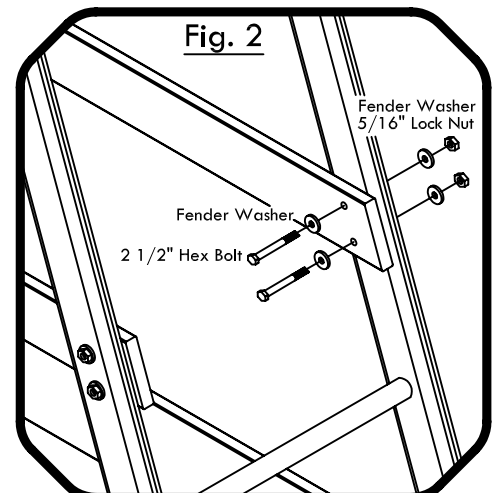
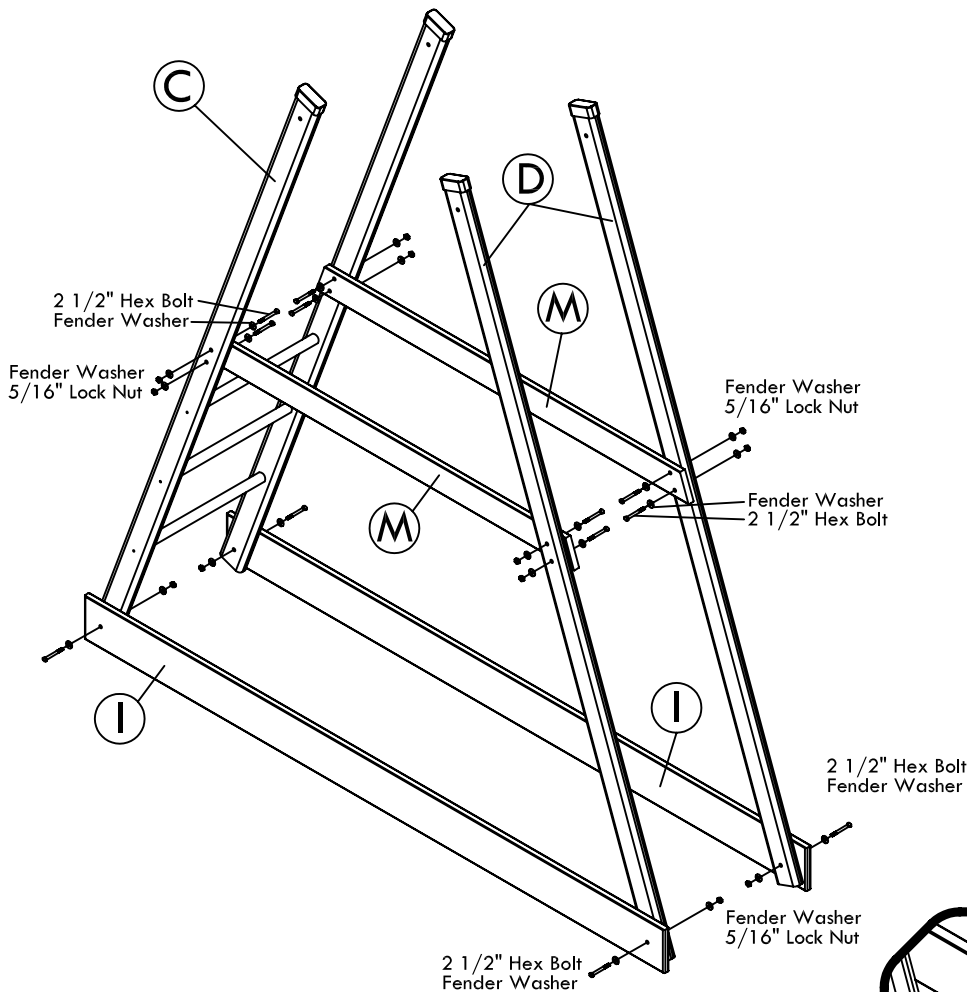
Phase 2 Frame Assembly

Items Used in this Phase

- (1) Fort Ladder Assembly 'C'
- (2) Fort Uprights 'D'
- (2) Fort Ground Beams 'I'
- (2) Angled Floor Supports 'M'

Step 1: Attach (1) Angled Floor Support 'M' to inside of each rail on Fort Ladder 'C' and Uprights 'D'. These boards will attach with (4) 2 1/2" hex bolts, fender washers and lock nuts. (you must have the correct end of Upright 'D' facing up or improper assembly will result. See Phase 1) Only hand-tighten nuts in this step. You will fully tighten nuts at the end of this phase.

Step 2: Attach Ground Beams 'I' to outside bottom of Fort Ladder 'C' and Uprights 'D' with (2) 2 1/2" hex bolts, fender washers and lock nuts. Fully tighten all bolts and nuts.

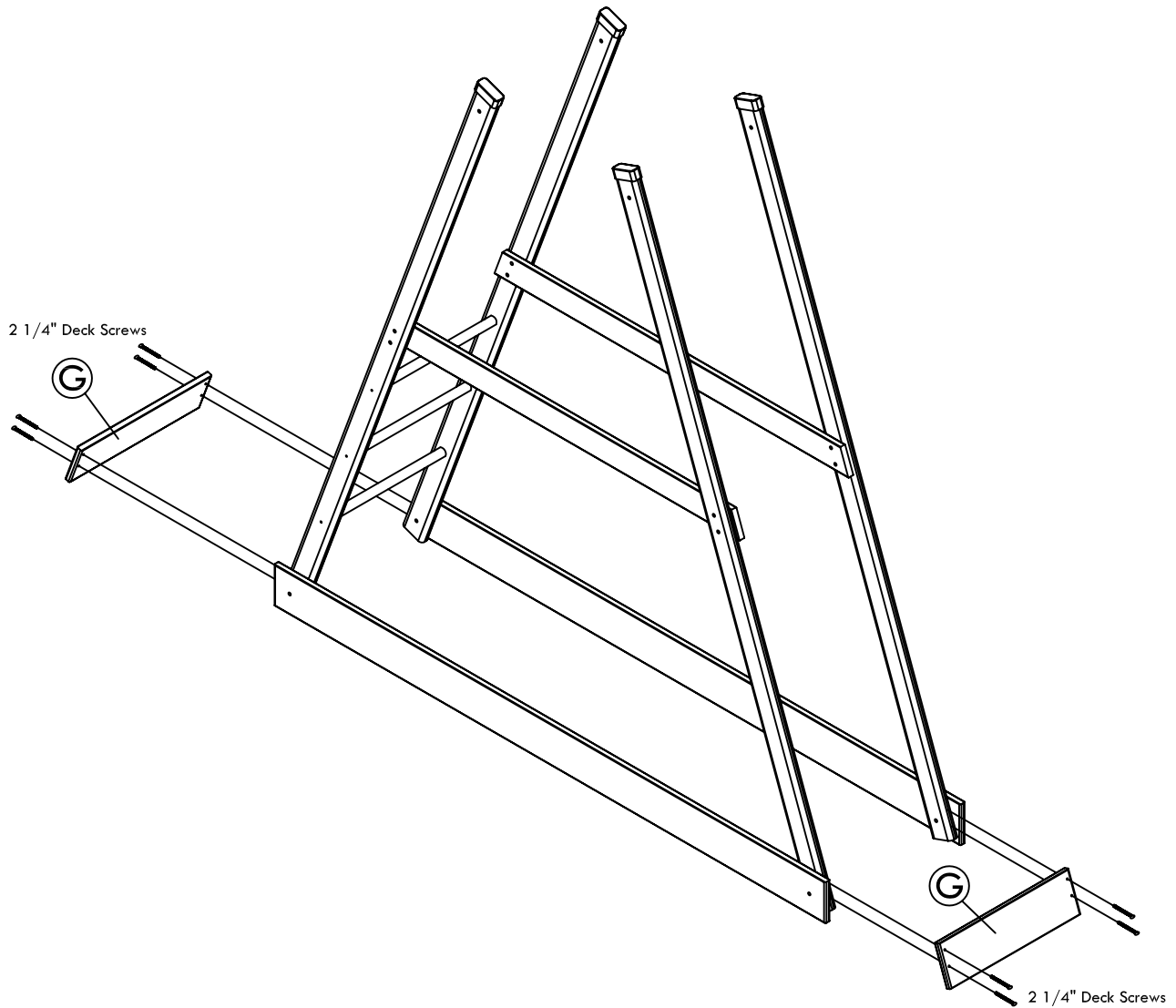


Phase 3 Frame Assembly Cont.

Items Used in this Phase

(2) Ground Boards 'G'

Step 1: Attach Ground Boards 'G' to the bottom of each side of the fort frame with (4) 2 1/4" deck screws each. The boards should be flush with the ground before attaching.



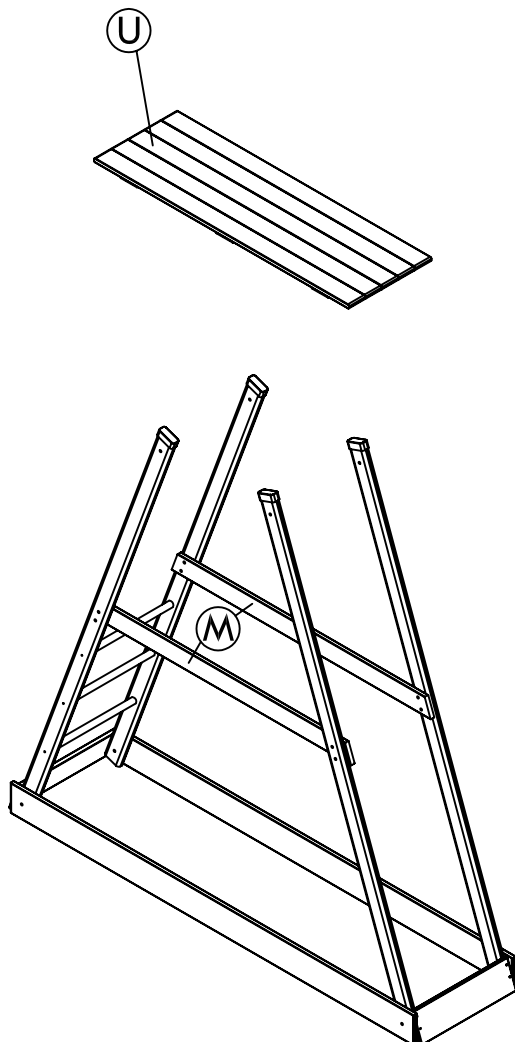
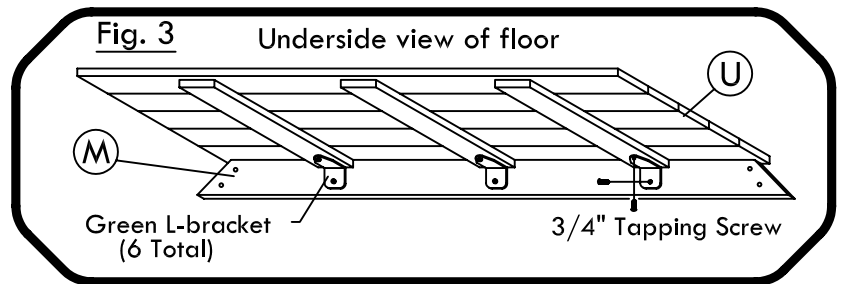
Phase 4 Floor Attachment

Items Used in this Phase

- (1) Floor Panel 'U'
- (6) Green L-Brackets

Note: It is crucial that the playset is level and square before and during floor attachment. You may need to make adjustments on the set while installing floor to insure the set remains square.

Step 1: Place Floor Panel 'U' on top of the Angled Floor Supports 'M' and attach with L-Brackets & 3/4" tapping screws as shown in Fig 3. (The ends of the Floor Panel should overhang each Floor Support 'M' equally. If it doesn't, your playset may need to be squared and leveled.)



Phase 5 Rockwall Attachment

Items Used in this Phase

- (1) Rockwall Board (no rock) 'T'
- (6) Rockwall Boards 'S'
- (6) Climbing Rocks

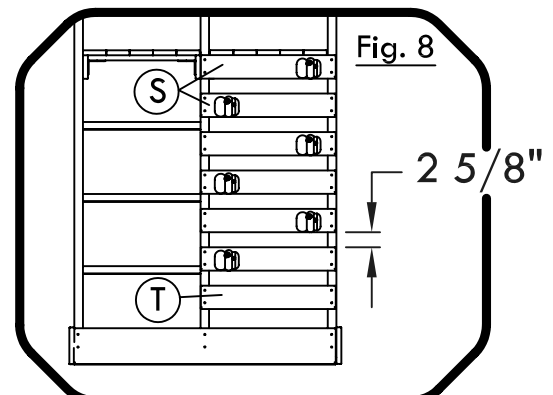
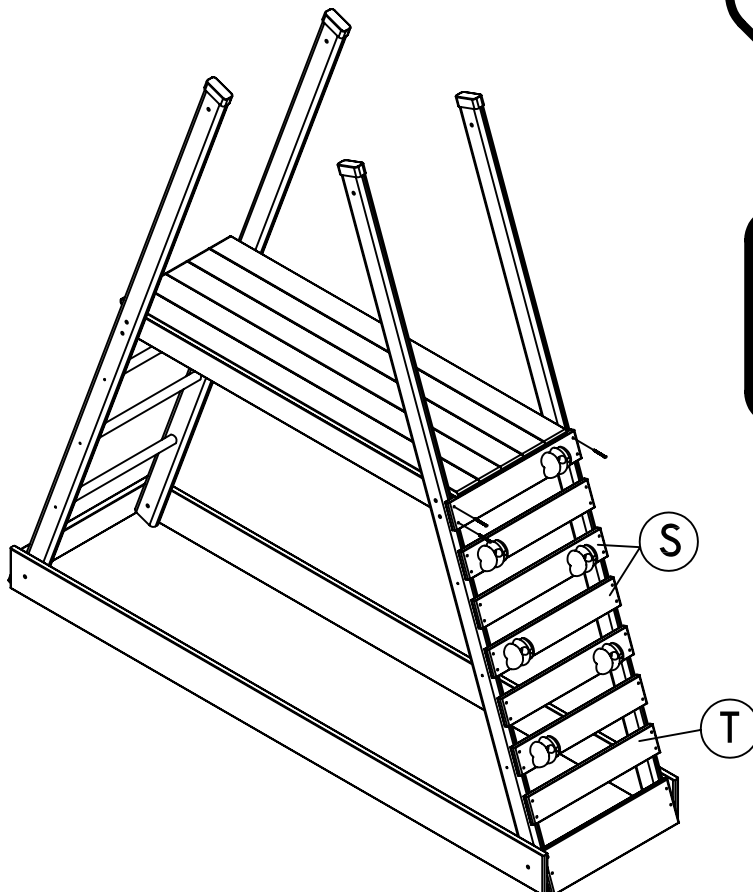
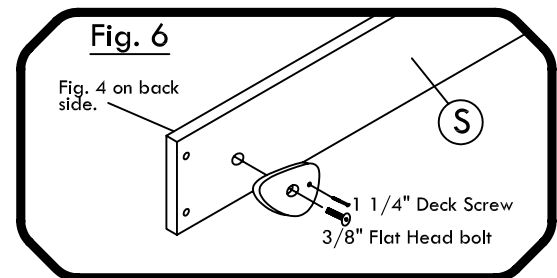
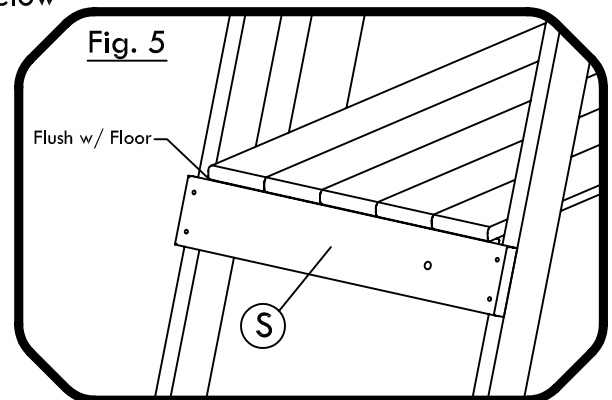
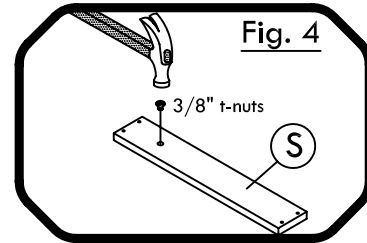
Step 1: Gather the (6) Rockwall boards 'S' and hammer 3/8" t-nuts into the large hole on each board. (see Fig. 4)

Step 2: Install the first Rockwall Board 'S' by placing the board flush with the bottom of the floor (see Fig. 5) where shown and attaching to uprights with (4) 2 1/4" deck screws. (the t-nut must go to the inside of the fort.)

Step 3: Place remaining (5) Rockwall boards 'S' below the previously attached board, spaced 2 5/8" apart. Boards must be placed so the rock holes alternate sides and NOT placed in a straight line. (Note: Place boards from top to bottom.) (See Fig. 8)

Step 4: Attach Rockwall Board 'T' to fort equally spaced below last Rockwall Board 'S' as shown in Fig. 8.)

Step 5: Attach Rockwall Rocks to each Rockwall Board 'S' with 3/8" flat head bolt through rock and board and into previously placed t-nut, and with 1 1/4" deck screw as shown. (see Fig 6)



Phase 6 Hand Grip Attachment

Items Used in this Phase

(6) Hand Grips

Step 1: Attach (1) hand grip to the side of each Upright and Ladder Rail with 1 1/2" tapping screws. There will be (3) hand grips per side of fort and they should be placed 23 1/2" down from the top of the Uprights and Fort Ladder. (see Fig 10)

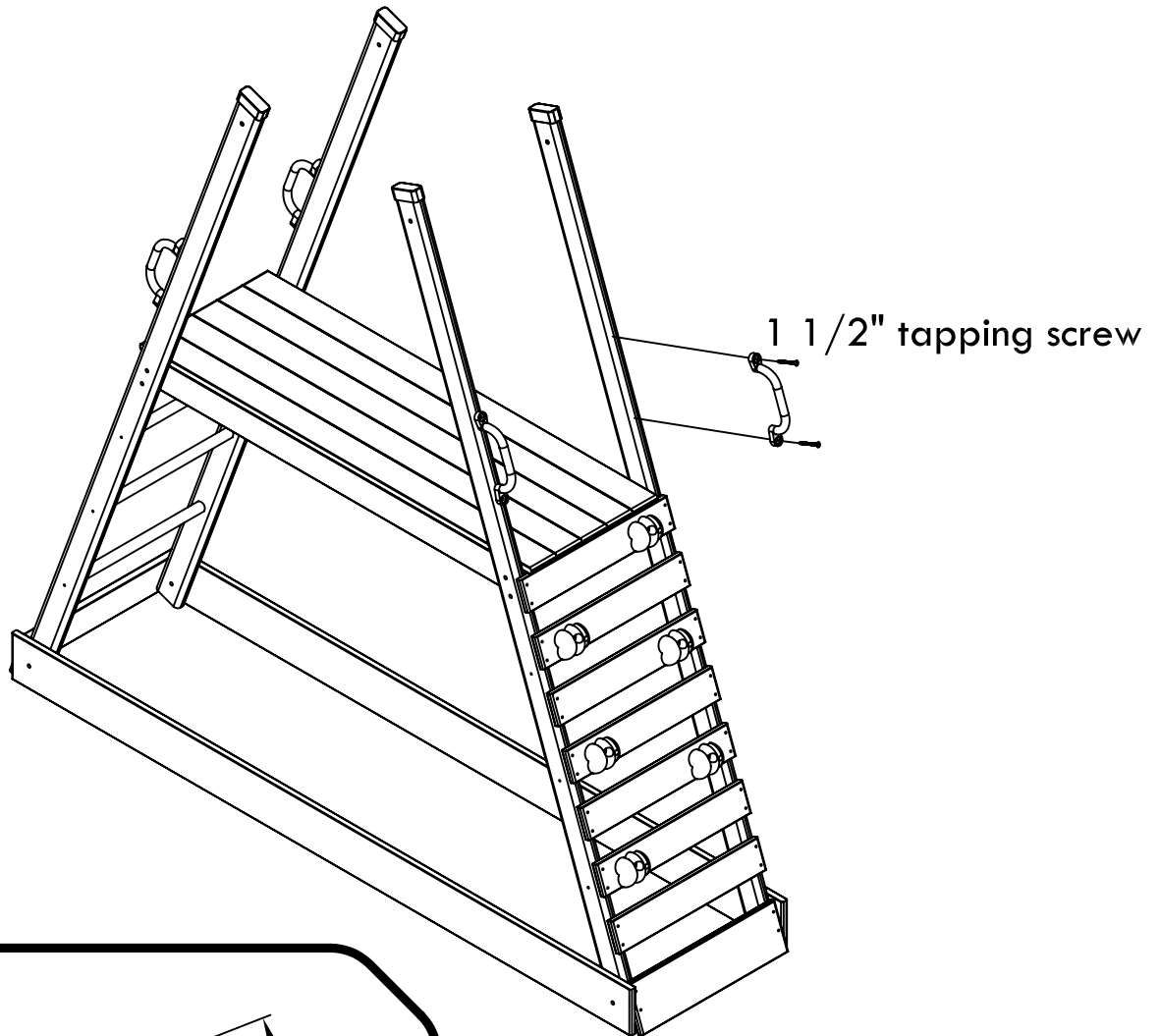
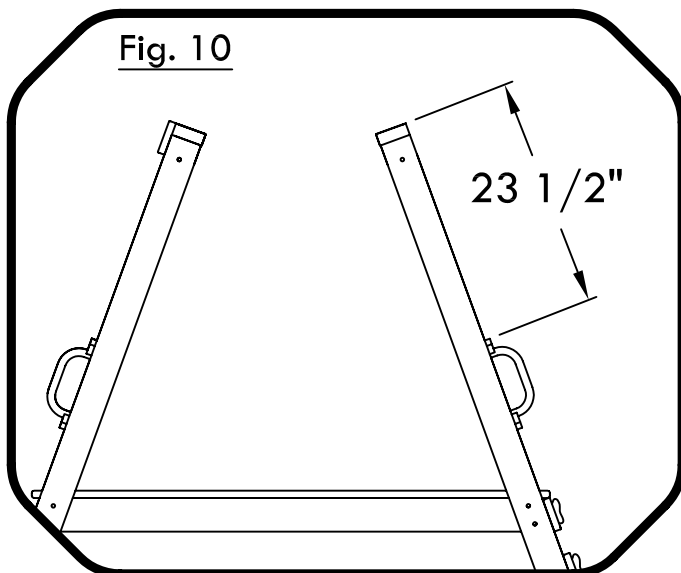


Fig. 10



Phase 7 Roof Assembly

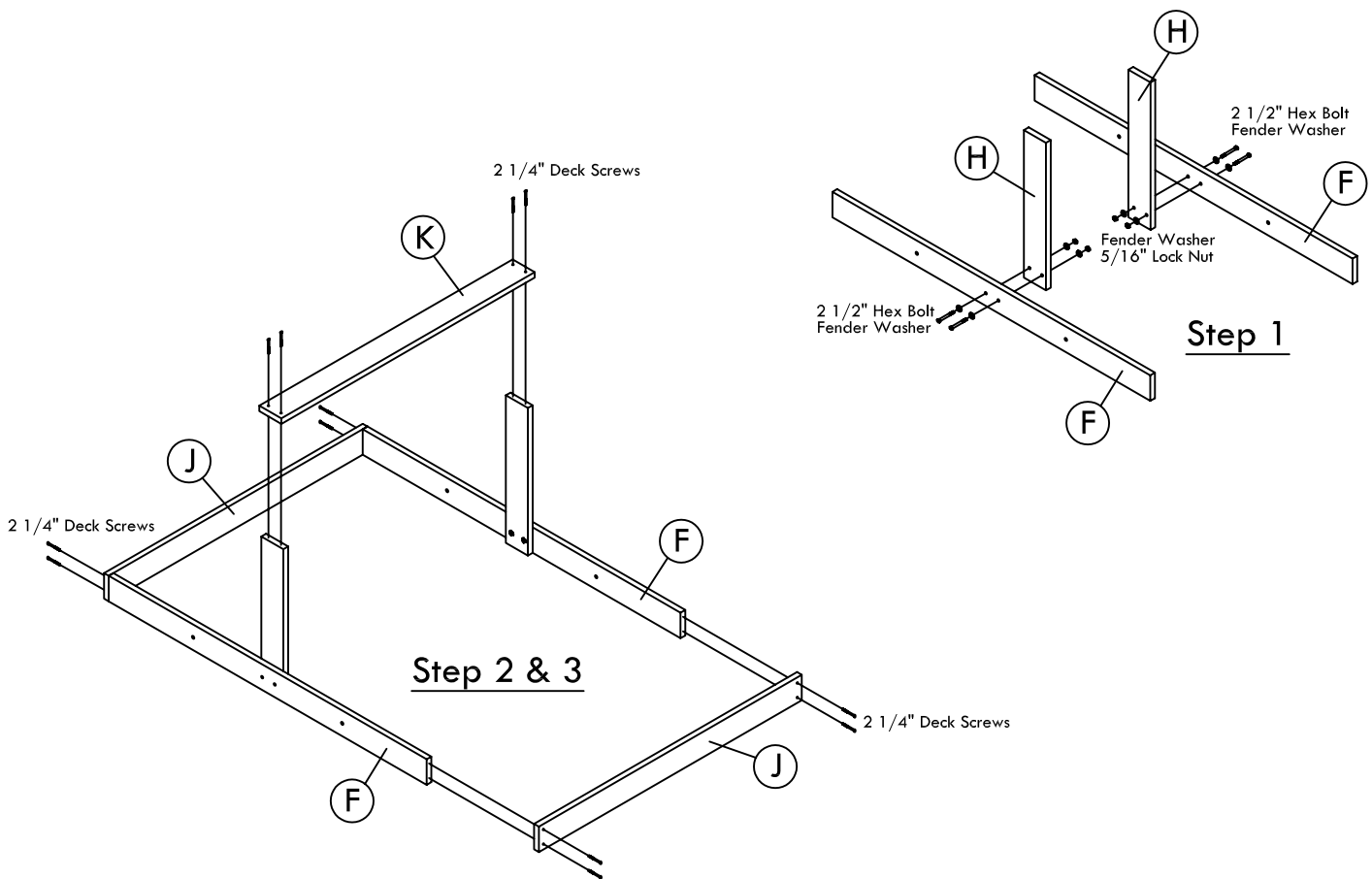
Items Used in this Phase

- (2) Monkey Bar Cross Braces 'F'
- (2) Tarp Uprights 'H'
- (2) Tarp End Caps 'J'
- (1) Tarp Support 'K'

Step 1: Attach Tarp Uprights 'H' to Monkey Bar Cross Braces 'F' with 2 1/2" hex bolts, fender washers and lock nuts.

Step 2: Attach Tarp End Caps 'J' to the ends of Monkey Bar Cross Braces 'F' with 2 1/4" deck screws as shown.

Step 3: Attach Tarp Support 'K' to top of Tarp Uprights 'H' with 2 1/4" deck screws as shown.



Phase 8 Roof Attachment

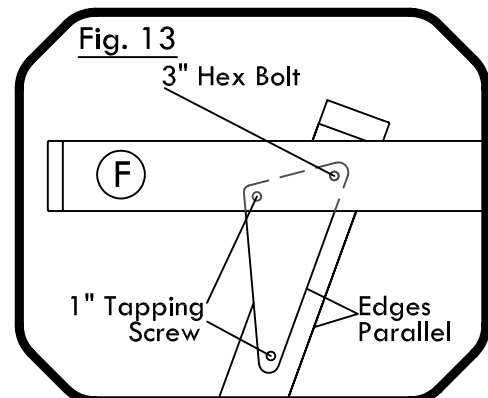
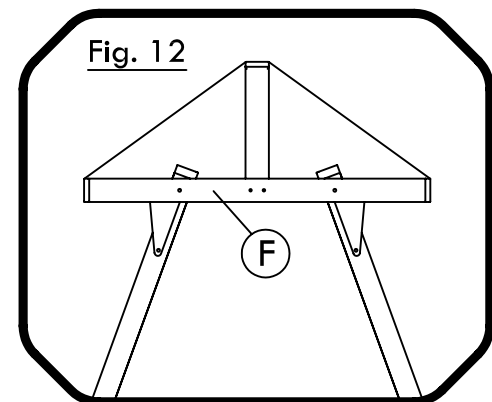
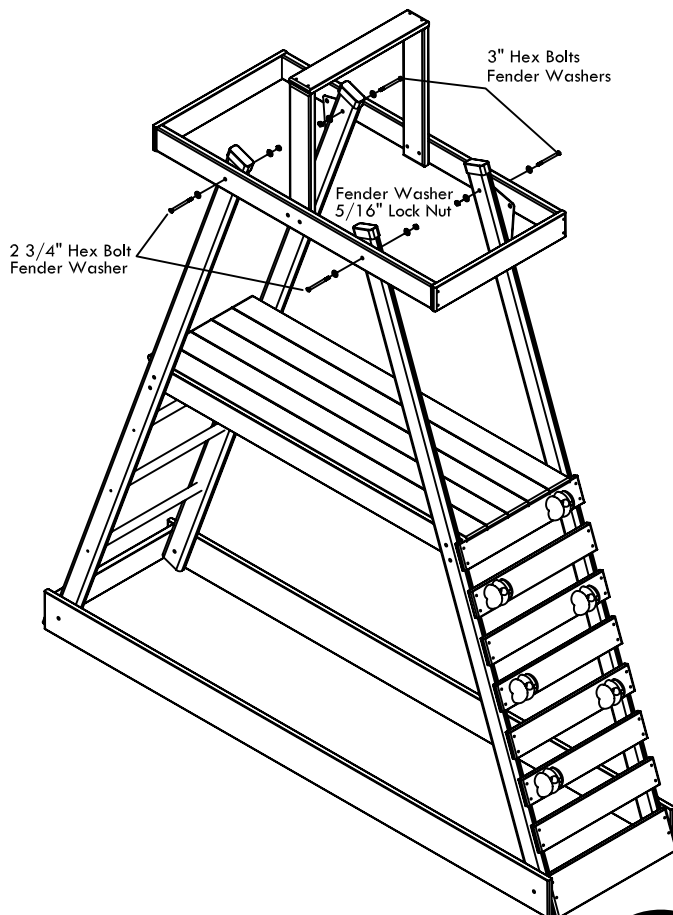
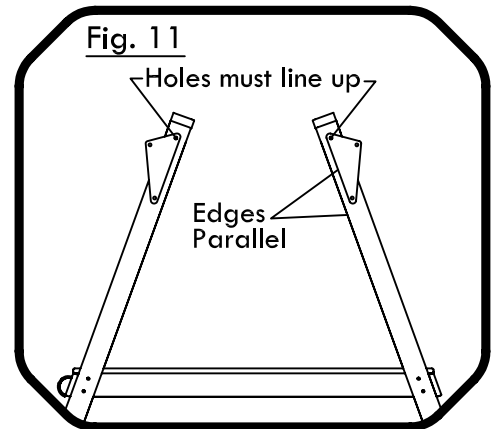
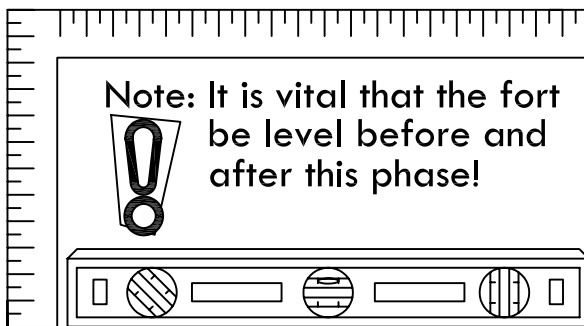
Items Used in this Phase

Phase 7 Roof Assembly
(2) Green Fort Plates

Step 1: The Roof Assembly Attaches differently on the back of the fort than it does on the front.

- Attach Roof Assembly to the front of the fort with (2) 2 3/4" hex bolts, fender washers and lock nuts as shown.
- Attach Assembly to the back of unit by placing a 3" hex bolt with a fender washer through Cross Brace 'G', then through top hole on Fort Plate and then through upright and into a fender washer and a lock nut. (see Fig. 11, 12 & 13) Do Not tighten this bolt down tight, it will be temporarily removed in a later phase.

Step 2: Attach the fort plate to the Uprights and Monkey Bar Cross Brace with 1" tapping screws through open holes. (the long edge of the plate will run parallel with the edge of the uprights) (see Fig. 11 & 13)



Phase 9 Wall Slat Attachment

- Items Used in this Phase
(4) Wall Slats 'O'
Adventure Playsets ID Sticker
(1) Green Roof Tarp

Step 1: Attach one end of each Wall Slats 'O' to the inside of the Monkey Bar Cross Braces 'F' with (2) 1 1/4" deck screws and attach the other end to the outside of Angled Floor Supports 'M' with (2) 1 1/4" deck screws each. (the Wall Slat should be spaced 3 1/4" away from upright) See Fig 14.

Step 2: Peel backing off of the Adventure Playsets ID Sticker and place sticker on front of tarp where shown.

Step 3: Drape Tarp over Tarp Support 'K' and Tarp End Caps 'J'. Attach one side of tarp to inside of one Tarp End Cap 'J' with (3) 3/4" tapping screws. Pull other side of Tarp tight and attach to the inside of other Tarp End Cap 'J' with (3) 3/4" tapping screws. (see Fig 15 & 16)

Adventure Playsets Sticker

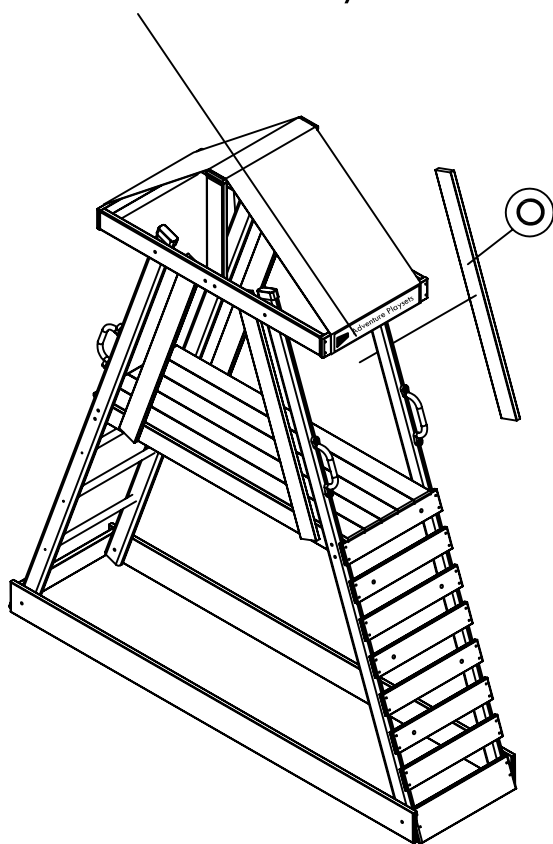


Fig. 14

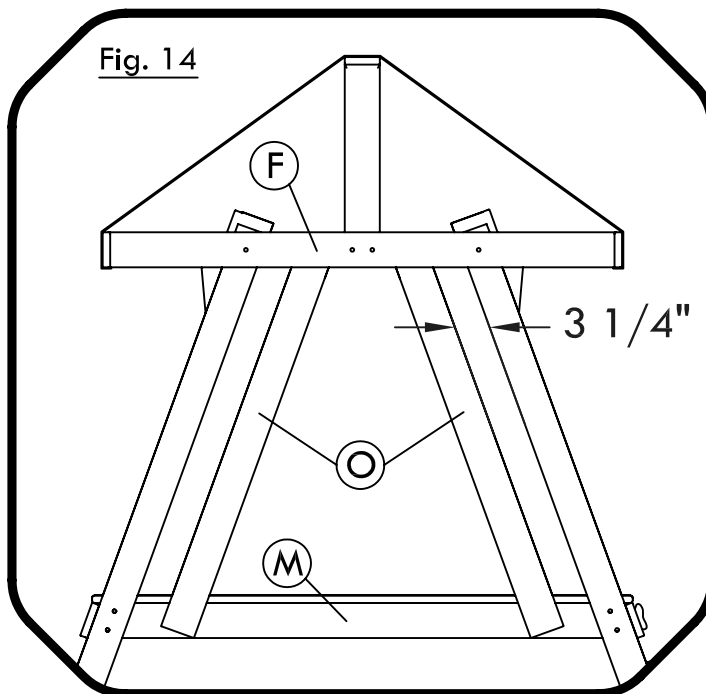


Fig. 15 INSIDE VIEW

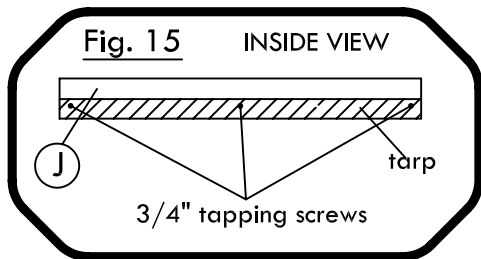
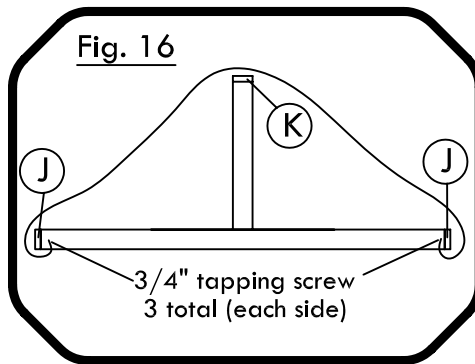


Fig. 16



Phase 10 Monkey Bar Setup

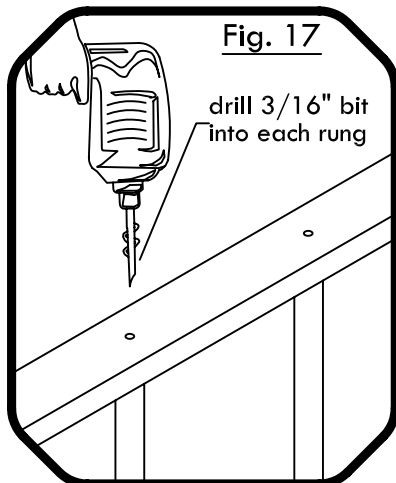
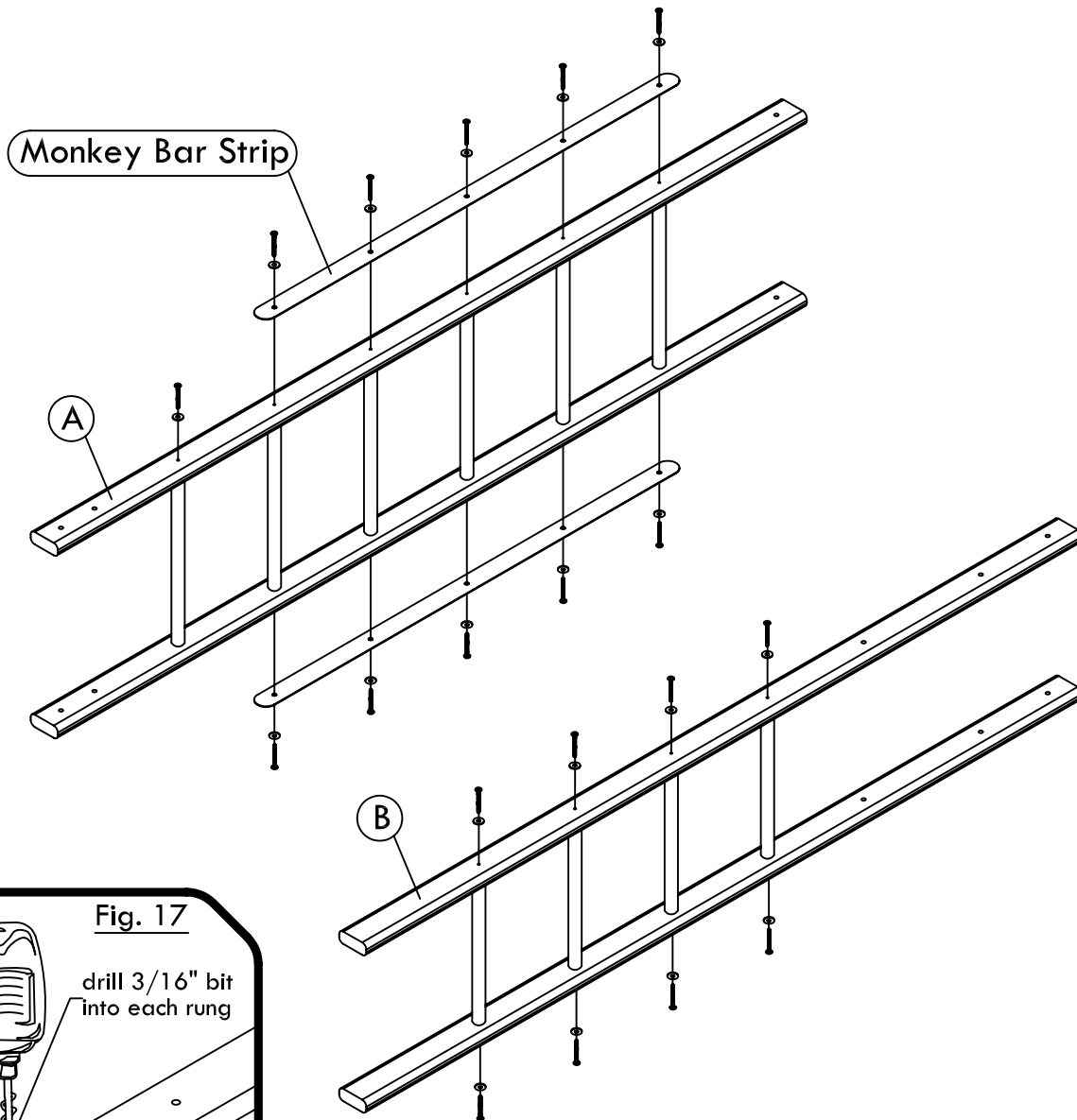
Items Used in this Phase

- (1) Monkey Bar Top Ladder 'A'
- (1) Monkey Bar End Ladder 'B'
- (2) Green Monkey Bar Strips

Step 1: Using a drill with a 3/16" bit, pre-drill a hole approximately 1 1/2" deep into each wooden rung on each Ladder Assembly. This will aid Step 2 & 3. (see Fig 17)

Step 2: Secure Metal Strip to each side of the Monkey Bar Top Ladder 'A' WHERE SHOWN with 1 1/2" tapping screws & fender washers through pre-drilled holes and into each ladder rung.

Step 3: On both Ladders, secure ladder rails to rungs by using a 1 1/2" tapping screw & fender washer through pre-drilled holes as shown. (secure both sides with tapping screws)



Note: Metal Strip must be installed where shown.

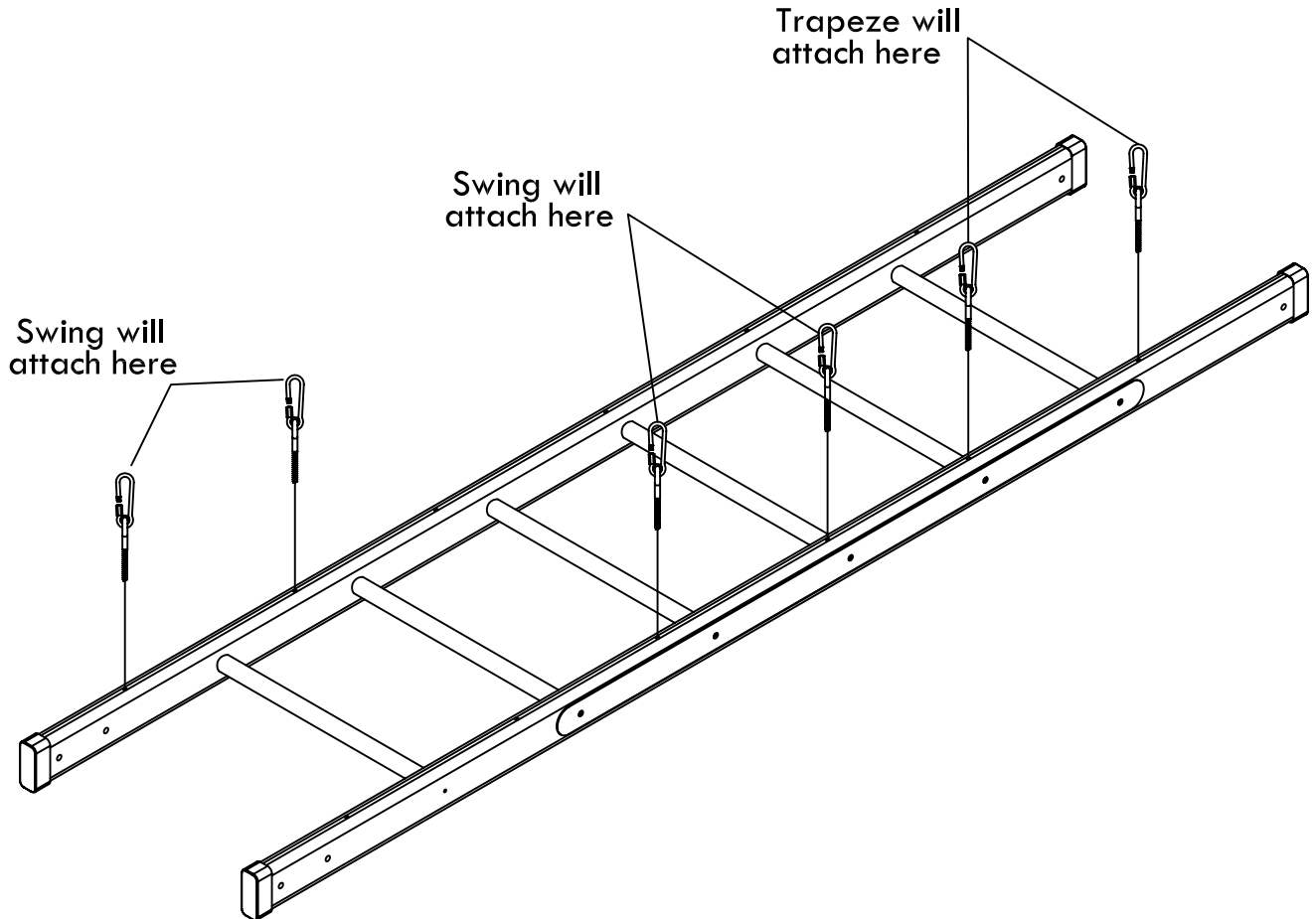
Phase 11

Swing Hanger Attachment

Items Used in this Phase

- (1) Monkey Bar Top Ladder 'A'
- (6) Swing Hanger Lag Screws

Step 1: Screw lag screw swing hangers into pilot holes on Monkey Bar Top Ladder in pattern shown below. (Note, for future reference, where each swing activity will attach)



HARDWARE ILLUSTRATION: SWING HANGER

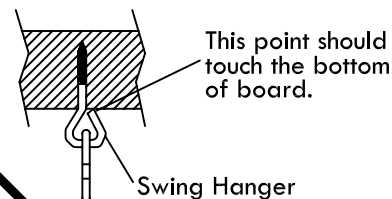


Fig. 18

The Lag Screw Swing Hanger must be screwed in so that the tip of the swing hanger is touching the receiving board.

NOTE: Triangular bend on swing hanger must run parallel with board.



Note: Swing hangers must be installed according to hardware illustration above!

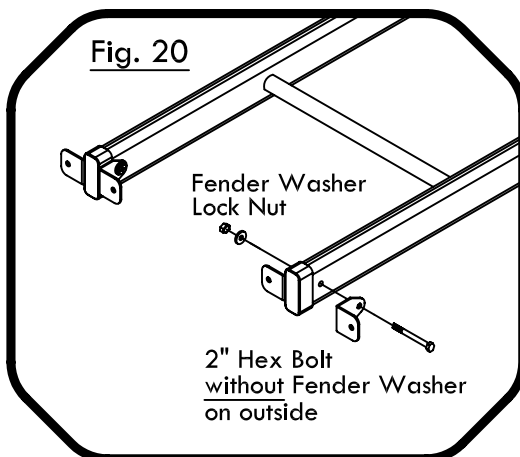
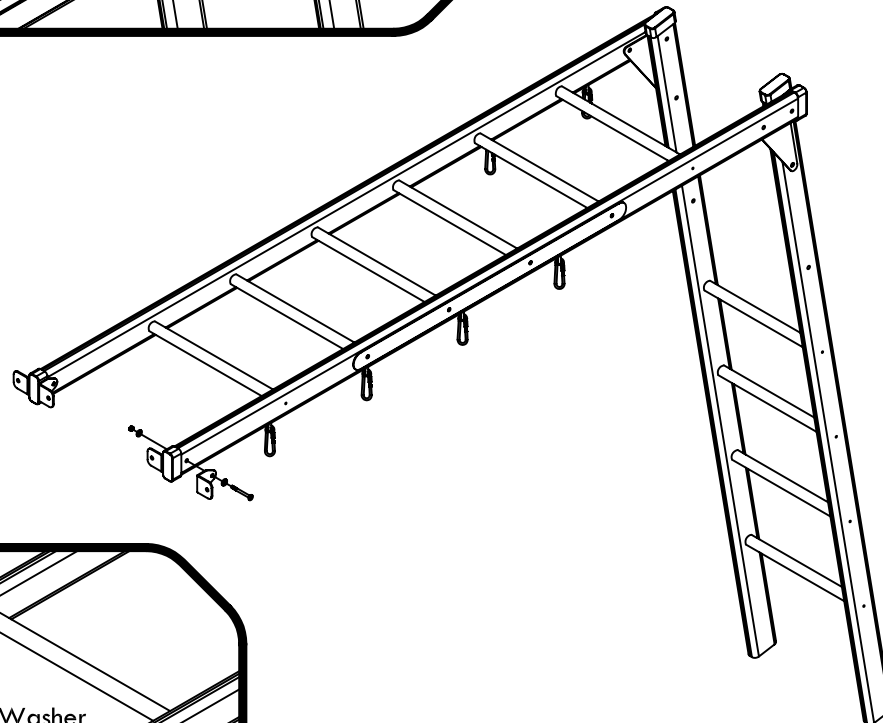
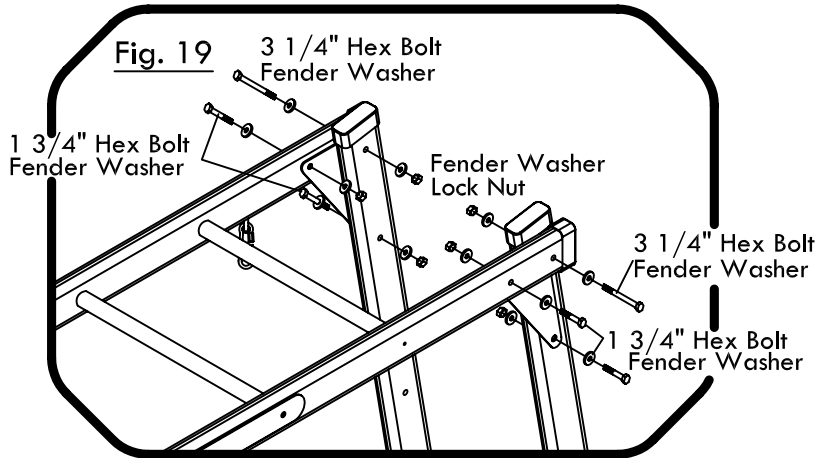
Phase 12 Monkey Bar Assembly

Items Used in this Phase

- (1) Monkey Bar Top Ladder 'A'
- (1) Monkey Bar End Ladder 'B'
- (2) Monkey Bar Plates
- (4) Green L-Brackets

Step 1: Attach Monkey Bar Top Ladder 'A' to Monkey Bar End Ladder 'B' with metal Monkey Bar Braces between the two as shown with hardware shown in Fig 19. (Make sure Swing Hangers point down.)

Step 2: Attach (2) L-brackets to the end of each Top Ladder rail with hardware shown. (see Fig 20)



Phase 13 Monkey Bar Assembly

Items Used in this Phase

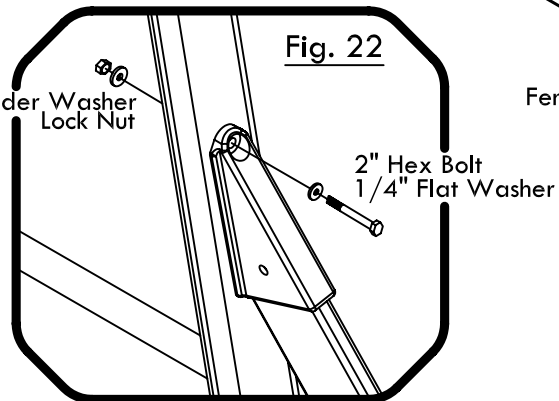
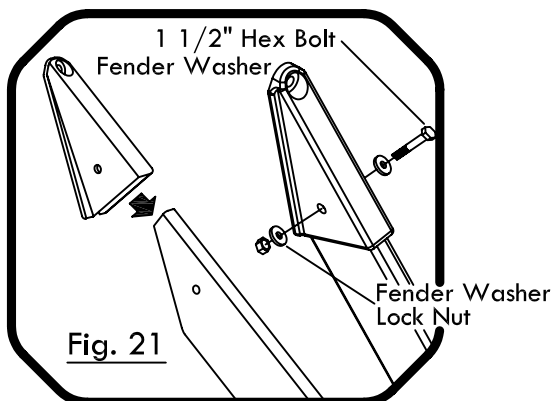
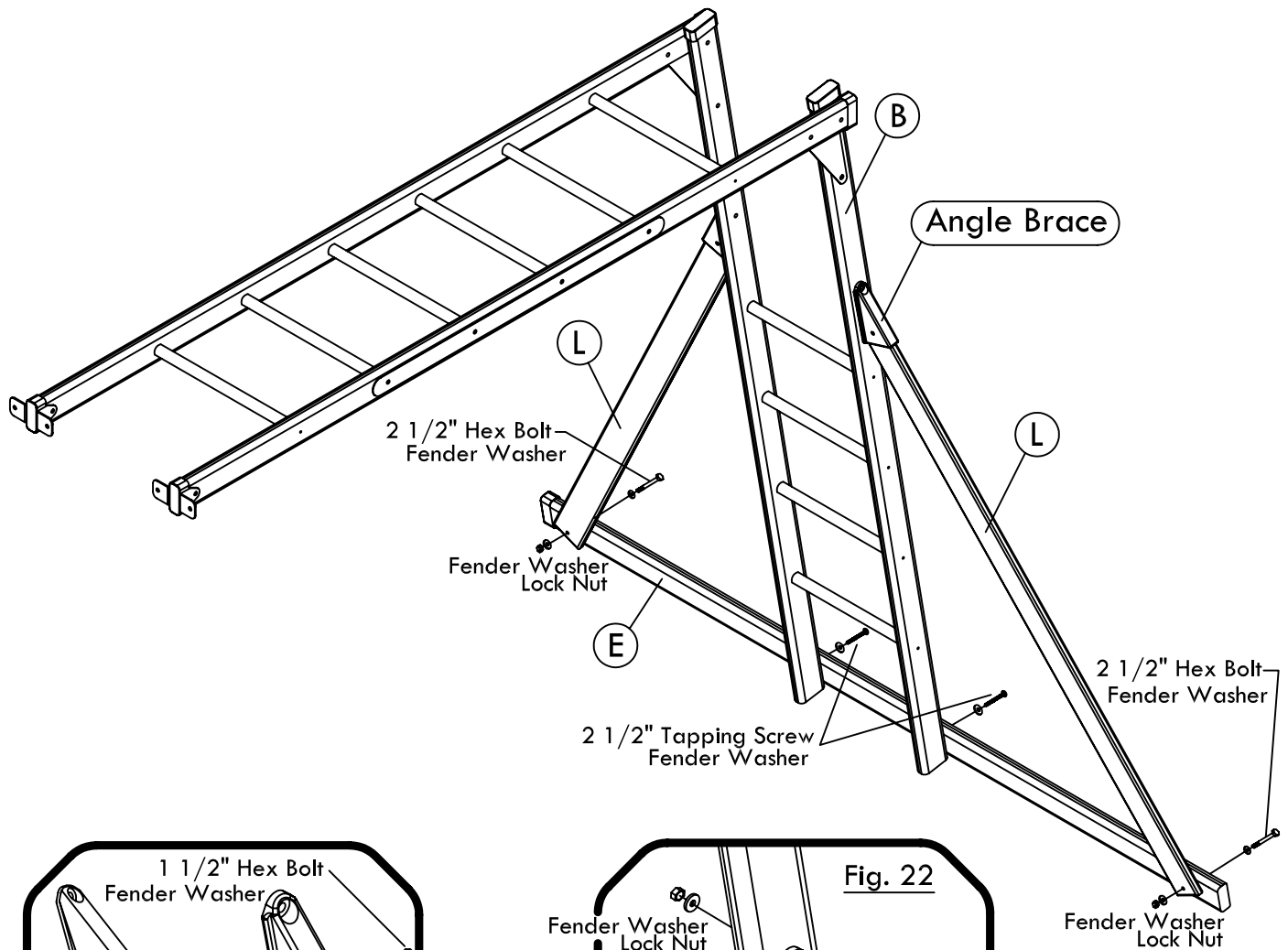
- (1) Monkey Bar Ground Beam 'E'
- (2) Monkey Bar Angle Braces 'L'
- (2) Angle Brace Brackets

Step 1: Attach Angle Brackets to Angle Braces 'L' with 1 1/2" Hex Bolts as shown in Fig 21.

Step 2: Attach Angle Braces 'L' to Monkey Bar Ground Beam 'E' with 2 1/2" Hex Bolts, flat washers and lock nuts as shown.

Step 3: Attach Angle Braces 'L' to End Ladder 'B' with 2" Hex Bolts & hardware shown in Fig 22.

Step 4: Attach Monkey Bar Ground Beam 'E' to End Ladder 'A' with 2 1/2" tapping screws with fender washers.

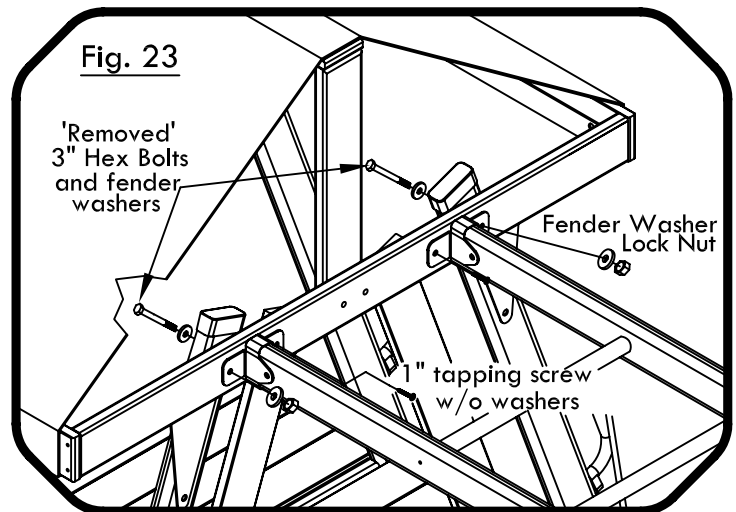
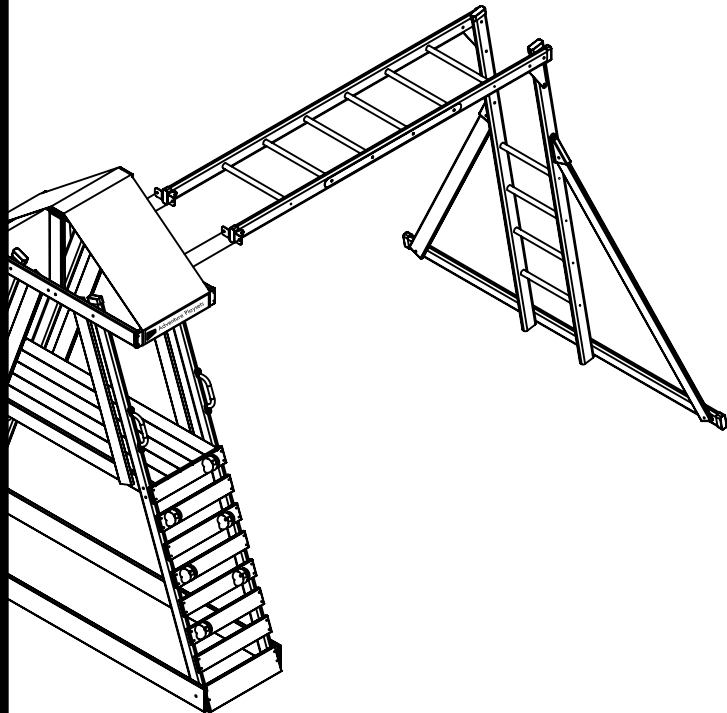


Phase 14 Monkey Bar Attachment

Step 1: Remove the (2) 3" hex bolts on the back of the unit that attach the tarp roof assembly. (see Phase 8)

Step 2: Attach Monkey Bar Assembly to Monkey Bar Cross Brace 'F' by placing the "Removed" 3" hex bolt with fender washer through the outside L-brackets on the end of the Top Ladder and back through the hole it was removed from.

Step 3: Attach the (2) inside L-brackets on the Top Ladder to the Monkey Bar Cross Brace 'F' with 1" tapping screws without washers as shown. (see Fig. 23)



Phase 15 Trapeze Assembly

Items Used in this Phase

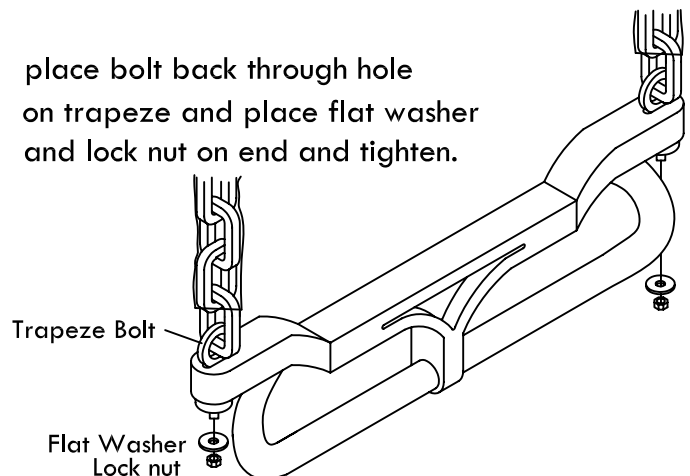
- (1) Trapeze Bar
- (2) Trapeze Chain



Trapeze Bolt

remove bolt from trapeze and loop one end of chain through bolt.

place bolt back through hole on trapeze and place flat washer and lock nut on end and tighten.



Phase 16 Swing Attachment

Items Used in this Phase

(2) Swing Assemblies

Step 1: Attach Swings to Swing hanger in the locations shown in phase 11 on page 26.

Phase 17 Slide Attachment

Items Used in this Phase

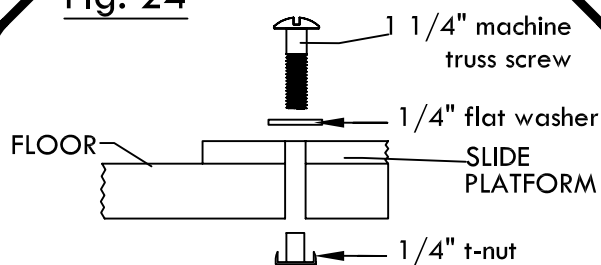
(1) Wave Slide

Step 1: Center the wave slide in the opening opposite the monkey bar.

Step 2: Using a drill with a 5/16" bit, drill a hole through the indentions on the slide and through the fort floor.

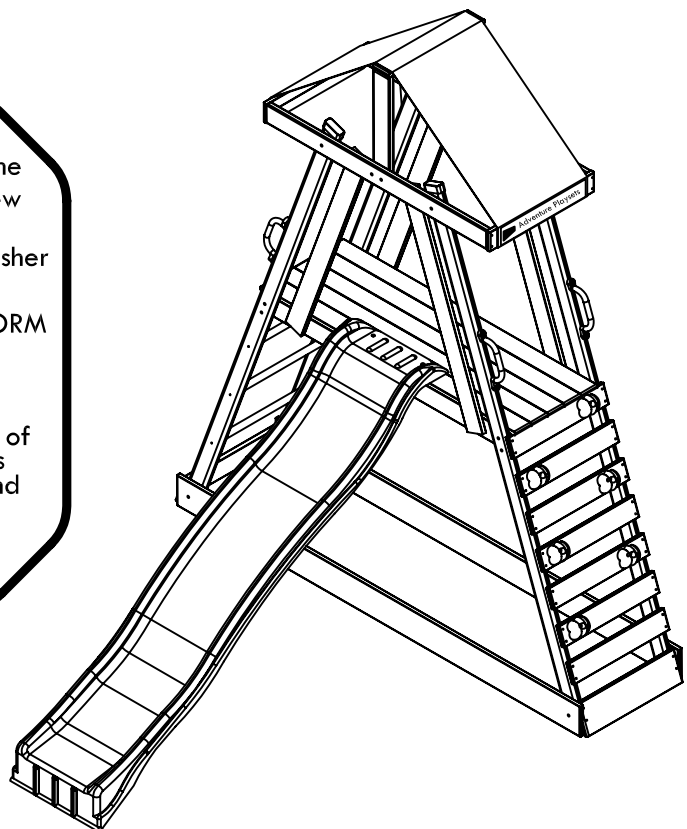
Step 3: Insert a 1/4" T-nut under the floor into drilled hole, and attach slide with 1/4"x1 1/4" Machine truss screw and washers as shown in Fig. 24 below.

Fig. 24



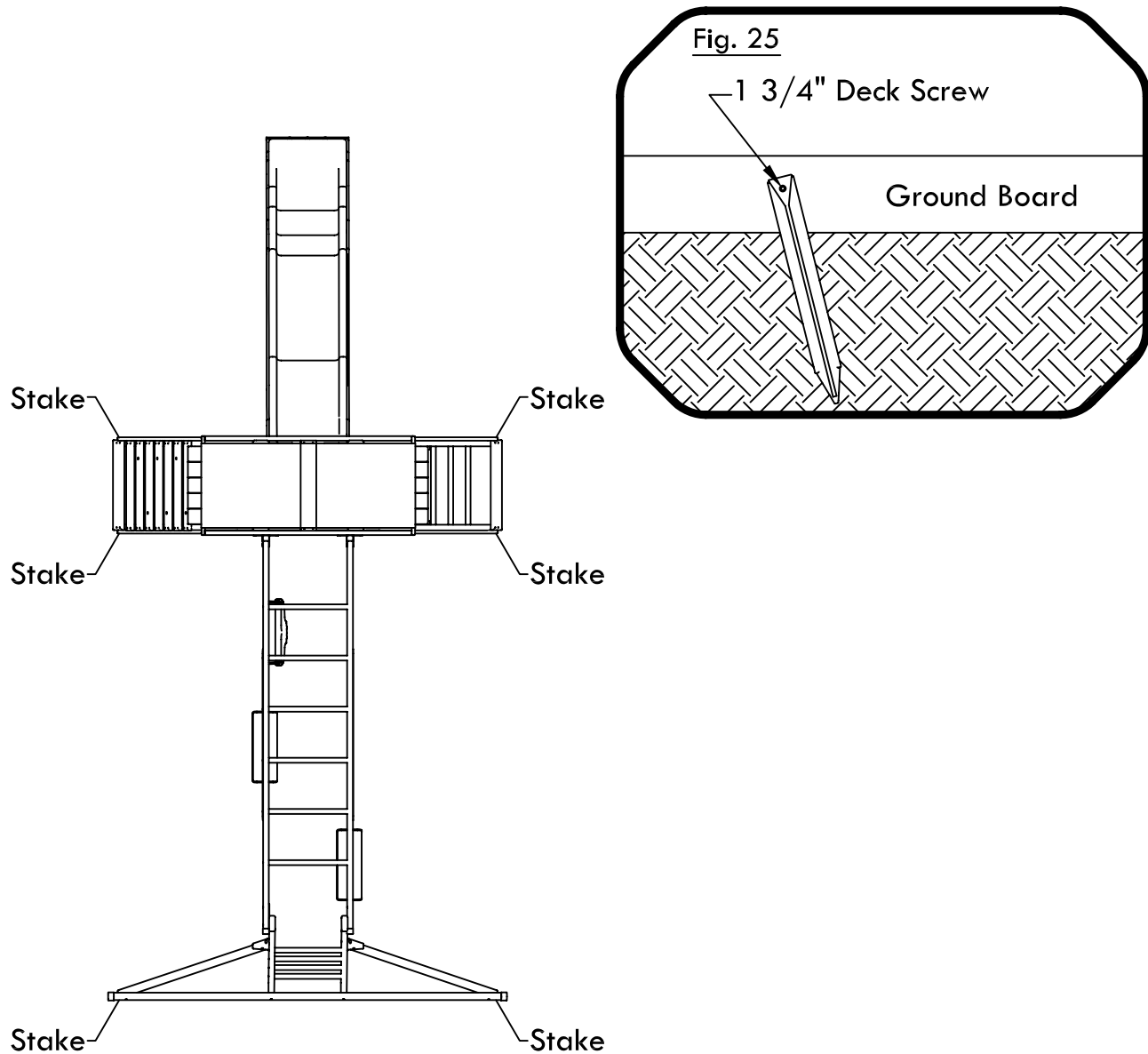
Hammer t-nut in drilled hole from underside of floor. Place (2) 1/4 x 1 1/4" machine truss screw with 1/4" flat washer through slide and drilled hole and into t-nut.

Secure with screwdriver.
DO NOT OVER TIGHTEN!



Phase 18 Anchoring Instructions

Step 1: Drive Stakes into ground against boards where shown below and attach with (1) 1 3/4" deck screw each as shown in Fig. 25.



Note: Failure to use stakes can void warranty & cause injury.

Final Step: Double check and make sure every bolt, screw and nut is tight. Make sure every board is secure. Make sure the fort is level and enjoy your playset.

Frequently Asked Questions

Q: What size of play area do you recommend around the playset so my child may play safe??

A: We recommend at least a six-foot play perimeter around the playset.

Q: My swing set seems to sway or rock too much. What is wrong?

A: Rocking is caused by uneven ground or obstructions such as rocks, roots, etc. under the ground rails. These obstructions should be removed and the ground underneath leveled to prevent rocking. If the fort itself is moving, it is usually caused because the fort is not staked down. Staking is required and will stop most of the movement.

Q: The end ladder is not straight up and down. What is wrong?

A: Nothing is wrong. The end ladder does not form a 90° angle. It has an angle to it.

Q: The S-hooks for my swings won't close. What is wrong?

A: The S-hook must be on a solid foundation when trying to close. It takes quite a few strokes, but the S-hook will close.

Q: The top ladder does not have holes for the swing hanger lags. Why not?

A: The top ladder is probably installed upside-down.

Q: My wood appears to be cracking. Is that a problem?

A: No, expansion and contraction of wood due to weather changes will cause slight cracking (technically called checking) and distortion. These are natural characteristics of wood and do not affect the structural integrity of the playset.

Q: My 2x4 boards do not measure 2"x4". Why not?

A: It has been common practice in the U.S. to use the rough-cut dimension from a sawmill to describe the width and height of a particular piece of lumber. Many retailers, designers, contractors and manufacturers utilize this description with a common and accepted knowledge that the actual size will vary from this description. Our sets are designed using the actual dimension. This ensures the sets will be assembled properly and be safe for the recommended use.

Q: How often should I re-stain my playset and what should I use?

A: The playset should be checked at least once a year depending on the weather. Lightly sand any rough areas and re-stain the set with a waterborne transparent stain.

Limited Warranty

Adventure Playsets Inc. insures to the original owner of our product, that the components of our set are free from defect in materials and will be warranted for one year from the date of purchase. In addition, all wooden components will be warranted against rot or insect damage for 12 Years to the original owner. All non-wood components will carry a one-year warranty only.

All defective parts that are discovered and reported in the first thirty days after purchase will be replaced at no charge to the registered customer. After thirty days of purchase shipping and handling charges for replacement warranty parts will be passed on to the consumer.

All returned goods will be accessed by our customer service department. We will not accept any goods without an authorization code. Our customer service department will give out all codes. Failure to supply authorization code with shipment will void all said warranty. Our customer service department can be reached at 1-800-856-4445.

This Limited Warranty does not cover the following:

- ❑ The cost of labor required to re-install or disassemble the defective component.
- ❑ The cost of air freight
- ❑ The cost of freight after the initial 30 days from purchase.
- ❑ Cosmetic defects that do not affect the structural integrity of the play center.
- ❑ Any abnormal conditions such as vandalism, improper installation, misuse or abuse, or improper maintenance.
- ❑ Damage done by nature such as wind, lightning, severe weather, etc...
- ❑ Natural defects of wood such as warping checking or any other physical properties of wood that do not present a hazard.

Adventure Playsets products have been carefully designed to insure your child's safety. Any modifications to your playsystem could result in serious injury as well as void all warranties.

Our playsets are designed for Residential use only, for children between the ages of 3 and 10, for a single-family dwelling. Commercial use such as nurseries, parks or schools, voids all warranties and liabilities.

Warranty claim procedure

If you are confident that your playsystem has been installed and maintained properly, and you have a warranty claim, proceed with the following steps:

1. We will need copy of your proof of purchase (Vendor sales receipt only.)
2. We require a brief written description of the warranty issue.
3. Photos of warranted parts and of the entire play system.

If **any** of the above steps are not completed, there may be delays in the completion of your claim, or possibly warranty cancellation.

Mail information to:

**Adventure Playsets
14201 I-27
Amarillo, Texas
79119**

or email at

custservice@adventureplaysets.com

Our customer service department will review the claim and make contact with the customer by mail or by phone. The customer will only pay for shipping and handling to and from factory if warranty is approved.

1-800-856-4445

Service department hours Monday thru Friday 9am to 5pm

Saturday 9am to 2pm

Central standard time

Customer Registration Card

Name: _____

Address: _____

City: _____ State: _____ Zip: _____

Home Phone: _____

Date of Purchase: _____ Date Stamped on Box: _____

Vendor Name: _____

City: _____ State: _____ Zip: _____

Unit Model: 1-AP017-06 Unit Name: The Tacoma - 2006

Please check the boxes below:

How old are you?

18-30 31-43 44-56 Older than 56

How would you rate the quality of our product?

Above Average Average Fair Poor

How would you rate the ease of assembly of our product?

Above Average Average Fair Poor

How would you rate our instructions?

Above Average Average Fair Poor

Would you recommend our product to friends & family?

Yes No

How old are your children?

3-4 5-6 7-8 9-10

Where did you hear about us?

Friend Store Display Advertisement Internet

Comments: _____

Customer Registration Card

**Do not forget to send in your registration card to the factory.
This card will validate your time of purchase for warranty items.**

Fold here

**Place
stamp
here**

**Adventure Playsets
14201 I-27
Amarillo Texas, 79119**

THIS IS YOUR UK WARRANTY CARD - PLEASE RETAIN THIS PART

YOU WILL NEED TO QUOTE THE DETAILS BELOW TO OBTAIN PARTS UNDER WARRANTY

The Tacoma
1-AP017-06

Purchased from: Date:.....



Plum Products Ltd:

Helpline for Parts and Enquiries: 08700 170 580 (UK)

✂.....

TO VALIDATE UK WARRANTY - PLEASE RETURN THIS PART

PLEASE RETURN THIS HALF WITH A
COPY OF YOUR SALES RECEIPT TO:

PLUM PRODUCTS DISTRIBUTION CENTRE
DEPT REG
INGHAM
LINCS
LN1 2YQ

CUSTOMER DETAILS:

Name:.....

Address

.....

Postcode:.....

Purchased from:.....

Purchase Date:.....

The Tacoma
1-AP017-06